



CarbideProTM

**High Performance
Indexable Tooling**



Our Story

For nearly 30 years, the professionals at AmeriServ Supply have been providing quality products and memorable customer experiences. And now, they proudly offer the CarbidePro™ brand of indexable inserts and tooling to the metalworking industry.



Available exclusively through AmeriServ Supply, the broad offering includes indexable inserts for turning, boring, milling, threading, and grooving applications, as well as toolholders, boring bars, high-feed milling cutters, and associated hardware and accessories. Employing state-of-the-art innovations in PVD nano-coating and micro-grain, cobalt-enriched substrate technology, our indexable inserts offer unique chip control configurations for finishing, roughing, and general purpose machining of materials spanning the entire ISO application range.

At Your Service

More than just another carbide distributor. AmeriServ Supply sources its materials from a host of domestic and global manufacturers, ensuring the most economical, highest quality products available.

We are committed to providing exceptional customer care. Our friendly and experienced team is available 24/7 for service and technical support. Whether it's product selection, process optimization, or troubleshooting, our decades of manufacturing expertise and industry knowledge are at your service.

Recycling Has Never Been Easier

Our sustainability initiative allows our customers to become part of the effort by recycling scrap tungsten carbide materials. Our sister company, Tungsten Carbide Recycling LLC, arranges freight, sorts and weighs your material, and provides detailed settlement reports along with prompt payment.



It couldn't be easier to convert your scrap to cash and do your part to preserve and protect our environment.

Visit www.tungstencarbiderecycling.com for more information.

AmeriServ Supply, LLC
12900 Preston Road, Suite 620
Dallas, TX 75230
www.ameriservsupply.com
281-734-1746 281-734-1839

Insert Selection Guide

4

Turning Inserts, Negative Rake

Grades, chipbreakers, insert offering

5

Turning Inserts, Positive Rake

Grades, chipbreakers, insert offering

33

Turning Inserts, Technical Information

59

Pro-Notch™ Threading & Grooving Inserts

Grades, technical information, insert offering

71

Laydown Threading Inserts

Grades, technical information, insert offering

77

High Feed Milling Solutions

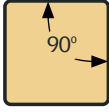
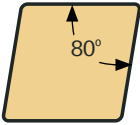
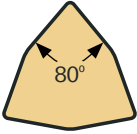
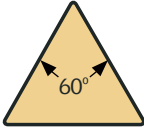
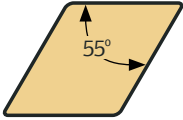
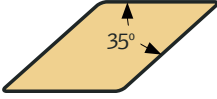
Milling cutters, grades, technical information, insert offering

86

Standard Milling Solutions

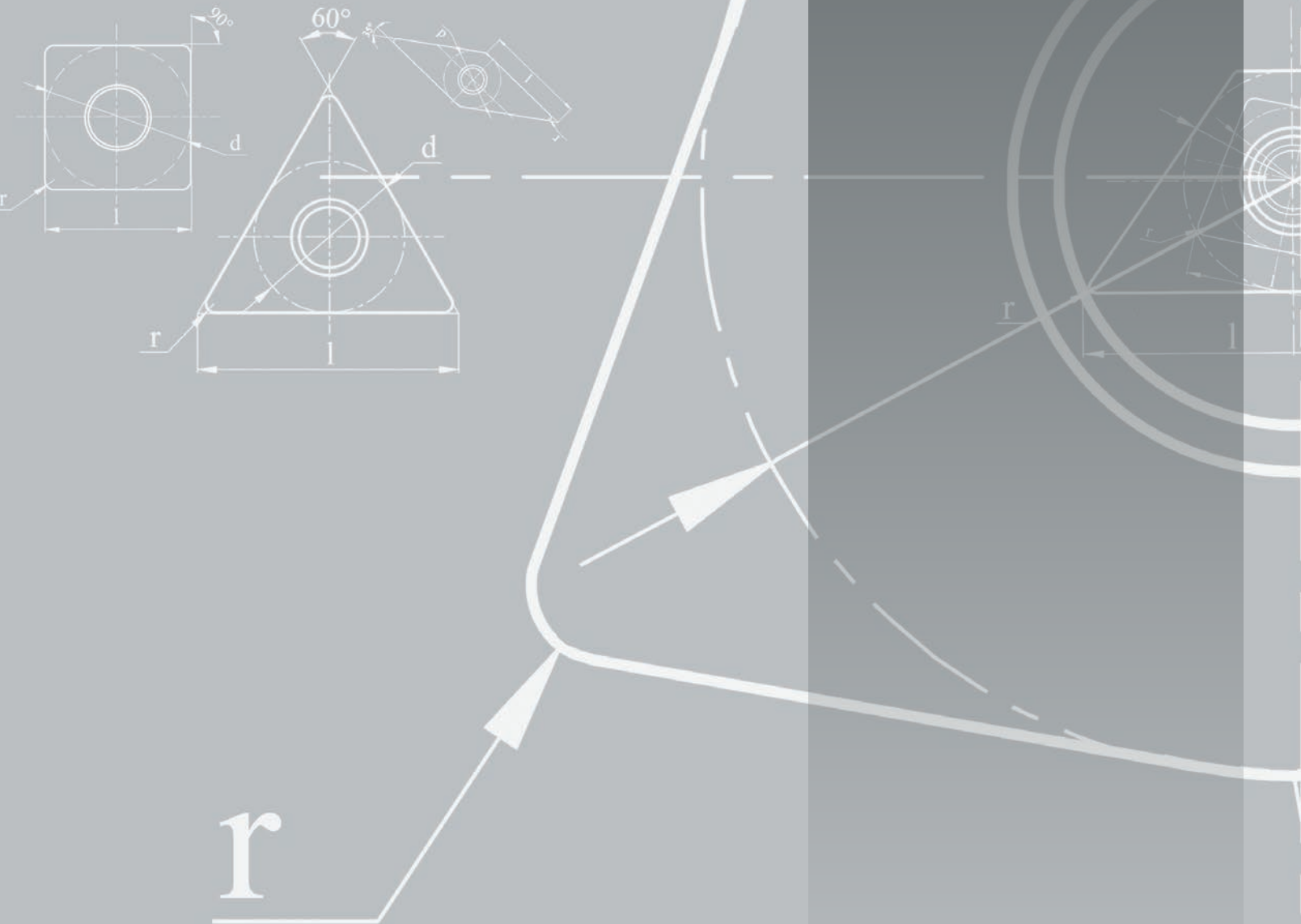
Grades, technical information, insert offering

95

Insert Shape	Application Conditions (+)	Considerations (-)
 <p>S - Square</p>	<ul style="list-style-type: none"> • Very strong 90° corner with excellent economy (8 edges on double-sided inserts). • Most often used for rough facing operations – especially on castings, forgings and rough-sawed blanks. 	<ul style="list-style-type: none"> • Unable to turn or face up to a shoulder (must be used in a toolholder with minimum 5° lead angle). • High radial forces push against the workpiece when used for turning. • Should always be used in a stable set-up.
 <p>C - 80° Diamond</p>	<ul style="list-style-type: none"> • The most popular insert shape due to high versatility. • Strong cutting edge with secure seating in the insert pocket. • 80° corner can be used for both turning and facing operations. • Opposite 100° corners can be used for general roughing applications (especially facing), providing maximum economy of 8 total cutting edges. 	<ul style="list-style-type: none"> • With only 5° of clearance between the trailing side of the insert and the workpiece, chip jamming can occur when boring.
 <p>W - 80° Corner Trigon</p>	<ul style="list-style-type: none"> • Six-corner 80° diamond shape that can increase economy compared to CNMG-style inserts. • Generally used on more moderate depths of cut and feedrates than CNMG-style inserts. 	<ul style="list-style-type: none"> • Seating of insert in pocket is not as stable as CNMG-style inserts. • Cannot take as deep a depth of cut as similar sized CNMG-type inserts.
 <p>T - Triangle</p>	<ul style="list-style-type: none"> • Very versatile insert shape – can be used for turning, facing, boring, copy turning and basic profiling. • Good economy with up to 6 cutting edges. • Excellent choice for general boring due to very stable seating of the insert in the boring bar pocket, and extra side clearance between the insert and the workpiece bore (greatly reducing the risk of chip jamming). 	<ul style="list-style-type: none"> • Edge is measurably weaker than 80° diamond shaped inserts. • Be sure not to use a triangle insert that is “too large” for the application, as the cost per edge can increase. For example, a 3/8” iC (Inscribed Circle) triangle insert (TNMG-33x) can manage up to .375” depth of cut in most situations with nearly the same insert strength – but a much lower cost – than a 1/2” iC triangle insert (TNMG-43x).
 <p>D - 55° Diamond</p>	<ul style="list-style-type: none"> • Generally the first choice for profile / copy turning applications. • Able to “In-Copy” (plunge turn into a smaller diameter) at an angle of 30°. • Commonly used when machining close to the tailstock / live center. 	<ul style="list-style-type: none"> • Somewhat weaker edge strength than a triangle insert. • Cost per edge is higher than most other turning inserts (except 35° diamond shape).
 <p>V - 35° Diamond</p>	<ul style="list-style-type: none"> • First choice for intricate shape copy turning. • Can “In-Copy” (plunge turn into a smaller diameter) at an angle up to 49°. • Can work extremely close to the tailstock / live center. 	<ul style="list-style-type: none"> • The weakest turning insert shape / corner – depths of cut and feedrates must be lighter. • Highest cost per edge. • Negative style (VNMG) should mainly be used for external applications. • Positive style (VCMT) can be used for external and internal applications, and in many cases improved performance outweighs the increased cost per edge (2 edges vs. the 4 edges of a negative 35° diamond VNMG).

TURNING INSERTS | NEGATIVE RAKE

ANSI / ISO STANDARD INSERTS FOR MOST EXTERNAL TURNING AND INTERNAL MACHINING OPERATIONS

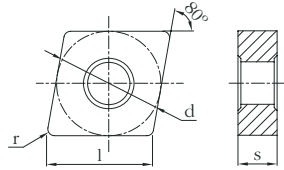


WORKPIECE MATERIAL	ANSI	ISO	Coating Type		
			CVD	PVD	
P Steel	C8	01	CP2105		↑ wear resistance
		10	CP2115		
	C7	20	CP2125		↑ toughness
		30	CP2135		
M Stainless Steel	-	01		CP6215	↑ wear resistance
	-	10	CP6025		
	-	20			↑ toughness
	-	30		CP6225	
K Cast Iron	C4	01	CP4115		↑ wear resistance
	C3	10	CP4125		
	C2	20			↑ toughness
	C1	30			
S Heat-Resistant Super Alloys	-	01		CP6215	↑ wear resistance
	-	10			
	-	20			↑ toughness
	-	30			

See pages 68 and 69 for more information on grades for turning.

Chipbreaker	Description	Chipbreaker Range	Design
PF	<ul style="list-style-type: none"> • Butterfly geometry directs chip flow • Variable Rake Angle • Curved Edgeline • Excellent chip control at small depths of cut • High quality surface finish 		
P STEEL			
PX	<ul style="list-style-type: none"> • Super-wide Chipgroove • High positive cutting action • Unique cutting edge treatment • Extremely long edgeline • Good for unstable set-ups • Able to handle varying depths of cut 		
P STEEL			
PM	<ul style="list-style-type: none"> • Smooth chip formation • Variable Land balances sharpness & strength • Strengthening ribs extend tool life • Wide application range • Low cutting forces with high edge strength • Excellent all-around performance 		
P STEEL			
PR	<ul style="list-style-type: none"> • High performance steel roughing chipbreaker • Strong cutting edge • Well suited for unstable application conditions • First choice for medium to heavy interruptions • Excellent chip evacuation and chip control • Smooth chip removal throughout feed range 		
P STEEL			
MF	<ul style="list-style-type: none"> • Ultra-sharp cutting edge • Low cutting forces • Excellent chip control at small depths of cut • Top land design protects against edge hammering • Smooth cutting action without burrs • Excellent workpiece surface finish 		
M STAINLESS STEEL			
MM	<ul style="list-style-type: none"> • Double-positive chipbreaker design • Strengthened positive land • Micro-edge geometry for Stainless Steel • Reduced workhardening effect • Wide application range / medium turning 		
M STAINLESS STEEL			
KF	<ul style="list-style-type: none"> • Lower cutting force geometry for Cast Iron • Strengthened edgeline with open chipformer • Designed for light to moderate applications • Good choice in unstable set-ups • Problem solver for boring Cast Iron 		
K CAST IRON			
KM	<ul style="list-style-type: none"> • Outstanding performance in Cast Iron • Strong edge with free cutting action • Extremely broad application range • Replaces traditional xNMA flat-top inserts • Precision lapped support surface 		
K CAST IRON			

CNMG-PF



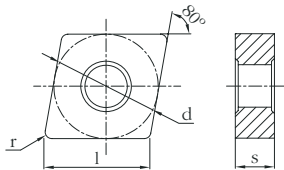
Most popular shape / style of insert. All-purpose turning, facing and boring.

PF: First Choice Geometry for finishing and semi-finishing applications in all types of Steel.

CATALOG NUMBER	ISO DESIGNATION	DIMENSIONS (INCH)				CUTTING DATA (INCH)		STEEL			
		d	l	s	r	depth of cut, a_p	feed per rev, f_n	CP2105	CP2115	CP2125	
CNMG 321-PF	CNMG 090304-PF	3/8	.381	1/8	1/64	.010 - .062	.003 - .010		★	★	
CNMG 322-PF	CNMG 090308-PF	3/8	.381	1/8	1/32	.016 - .080	.004 - .014		★	★	
CNMG 431-PF	CNMG 120404-PF	1/2	.508	3/16	1/64	.010 - .062	.003 - .010	★	★	★	
CNMG 432-PF	CNMG 120408-PF	1/2	.508	3/16	1/32	.016 - .080	.004 - .014	★	★	★	

Ordering Example: 20 pcs CNMG 432-PF CP2125

CNMG-PX



Most popular shape / style of insert. All-purpose turning, facing and boring.

PX: Sharp Edge Geometry for shaft turning, boring and unstable workpieces. Performs well in a wide range of depths of cut.

CATALOG NUMBER	ISO DESIGNATION	DIMENSIONS (INCH)				CUTTING DATA (INCH)		STEEL			
		d	l	s	r	depth of cut, a_p	feed per rev, f_n	CP2125			
CNMG 432R-PX	CNMG 120408R-PX	1/2	.508	3/16	1/32	.031 - .187	.006 - .016	★			
CNMG 432L-PX	CNMG 120408L-PX	1/2	.508	3/16	1/32	.031 - .187	.006 - .016	★			

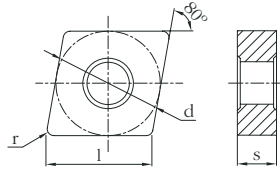
Ordering Example: 20 pcs CNMG 432R-PX CP2125

NOTE: PX geometry inserts are available in both R (Right-hand) and L (Left-hand) styles. Right-hand style is shown above. Normal External Turning applications require Right-hand (R) inserts in Right-hand holders, and Left-hand (L) inserts in Left-hand holders. For Internal / Boring applications, Left-hand (L) inserts are used in Right-hand bars, and Right-hand (R) inserts are used in Left-hand bars.

REFERENCE PAGES

GRADE SELECTION GUIDE **6** TECHNICAL INFORMATION **59** CUTTING SPEED RECOMMENDATIONS **66**

CNMG-PM



Most popular shape / style of insert. All-purpose turning, facing and boring.

PM: First Choice Geometry for medium to semi-roughing applications in all types of Steel.


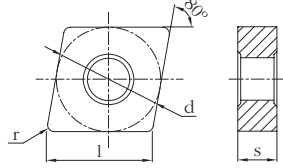
CATALOG NUMBER	ISO DESIGNATION	DIMENSIONS (INCH)				CUTTING DATA (INCH)		STEEL			
		d	l	s	r	depth of cut, a_p	feed per rev, f_n	CP2105	CP2115	CP2125	
CNMG 321-PM	CNMG 090304-PM	3/8	.381	1/8	1/64	.016 - .141	.005 - .014		★	★	
CNMG 322-PM	CNMG 090308-PM	3/8	.381	1/8	1/32	.020 - .141	.006 - .016		★	★	
CNMG 431-PM	CNMG 120404-PM	1/2	.508	3/16	1/64	.016 - .187	.005 - .014	★	★	★	
CNMG 432-PM	CNMG 120408-PM	1/2	.508	3/16	1/32	.020 - .187	.006 - .016	★	★	★	
CNMG 433-PM	CNMG 120412-PM	1/2	.508	3/16	3/64	.031 - .187	.007 - .018	★	★	★	
CNMG 434-PM	CNMG 120416-PM	1/2	.508	3/16	1/16	.040 - .187	.008 - .020			★	
CNMG 542-PM	CNMG 160608-PM	5/8	.635	1/4	1/32	.020 - .219	.006 - .016	★	★	★	
CNMG 543-PM	CNMG 160612-PM	5/8	.635	1/4	3/64	.031 - .219	.007 - .018	★	★	★	
CNMG 642-PM	CNMG 190608-PM	3/4	.762	1/4	1/32	.020 - .266	.006 - .016		★	★	
CNMG 643-PM	CNMG 190612-PM	3/4	.762	1/4	3/64	.031 - .266	.007 - .018	★	★	★	
CNMG 644-PM	CNMG 190616-PM	3/4	.762	1/4	1/16	.040 - .266	.008 - .020			★	

Ordering Example: 20 pcs CNMG 643-PM CP2125

REFERENCE PAGES


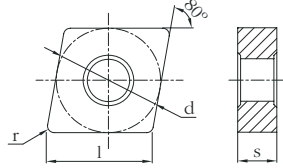
GRADE SELECTION GUIDE	6	TECHNICAL INFORMATION	59	CUTTING SPEED RECOMMENDATIONS	66
-----------------------	----------	-----------------------	-----------	-------------------------------	-----------

CNMG-PR

		<p>Most popular shape / style of insert. All-purpose turning, facing and boring.</p> <p><i>PR: Strong cutting edge geometry for roughing applications in all types of Steel. Well suited for unstable conditions and interrupted cuts.</i></p>									
CATALOG NUMBER	ISO DESIGNATION	DIMENSIONS (INCH)				CUTTING DATA (INCH)		STEEL			
		d	l	s	r	depth of cut, a_p	feed per rev, f_n	CP2105	CP2115	CP2125	CP2135
CNMG 432-PR	CNMG 120408-PR	1/2	.508	3/16	1/32	.028 - .219	.007 - .020	★	★	★	★
CNMG 433-PR	CNMG 120412-PR	1/2	.508	3/16	3/64	.040 - .219	.008 - .022	★	★	★	★
CNMG 543-PR	CNMG 160612-PR	5/8	.635	1/4	3/64	.040 - .266	.008 - .022	★	★	★	★
CNMG 544-PR	CNMG 160616-PR	5/8	.635	1/4	1/16	.055 - .266	.009 - .026	★	★		★
CNMG 643-PR	CNMG 190612-PR	3/4	.762	1/4	3/64	.040 - .328	.008 - .022	★	★	★	★
CNMG 644-PR	CNMG 190616-PR	3/4	.762	1/4	1/16	.055 - .328	.009 - .026	★	★		★

Ordering Example: 20 pcs CNMG 544-PR CP2135

CNMG-MF

		<p>Most popular shape / style of insert. All-purpose turning, facing and boring.</p> <p><i>MF: Ultra-sharp cutting edge geometry for finishing in Stainless Steels. Low cutting forces and superior workpiece surface finish without burrs.</i></p>									
CATALOG NUMBER	ISO DESIGNATION	DIMENSIONS (INCH)				CUTTING DATA (INCH)		STAINLESS STEEL			
		d	l	s	r	depth of cut, a_p	feed per rev, f_n	CP6215			
CNMG 431-MF	CNMG 120404-MF	1/2	.508	3/16	1/64	.004 - .060	.002 - .012	★			
CNMG 432-MF	CNMG 120408-MF	1/2	.508	3/16	1/32	.004 - .060	.002 - .012	★			

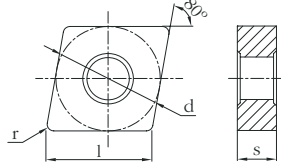
Ordering Example: 20 pcs CNMG 432-MF CP6215

NOTE: The primary application area for grade CP6215 is in stainless steel workpiece materials. CP6215 is also suitable for use with iron-based, cobalt-based and nickel-based Heat Resistant Super Alloys.

REFERENCE PAGES

GRADE SELECTION GUIDE	6	TECHNICAL INFORMATION	59	CUTTING SPEED RECOMMENDATIONS	66
-----------------------	----------	-----------------------	-----------	-------------------------------	-----------

CNMG-MM



Most popular shape / style of insert. All-purpose turning, facing and boring.


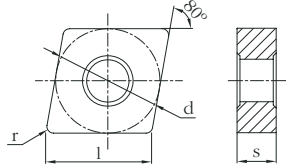
MM: Keen edge geometry especially for Stainless Steel. Unique edge line reduces work hardening. Semi-finishing to rough machining.

CATALOG NUMBER	ISO DESIGNATION	DIMENSIONS (INCH)				CUTTING DATA (INCH)		STAINLESS STEEL			
		d	l	s	r	depth of cut, a_p	feed per rev, f_n	CP6025	CP6225		
CNMG 321-MM	CNMG 090304-MM	3/8	.381	1/8	1/64	.016 - .125	.006 - .011	★	★		
CNMG 322-MM	CNMG 090308-MM	3/8	.381	1/8	1/32	.020 - .125	.006 - .012	★	★		
CNMG 431-MM	CNMG 120404-MM	1/2	.508	3/16	1/64	.016 - .156	.006 - .011	★	★		
CNMG 432-MM	CNMG 120408-MM	1/2	.508	3/16	1/32	.020 - .156	.006 - .012	★	★		
CNMG 433-MM	CNMG 120412-MM	1/2	.508	3/16	3/64	.031 - .156	.007 - .013	★	★		
CNMG 434-MM	CNMG 120416-MM	1/2	.508	3/16	1/16	.040 - .156	.008 - .014	★	★		
CNMG 542-MM	CNMG 160608-MM	5/8	.635	1/4	1/32	.020 - .187	.006 - .012	★	★		
CNMG 543-MM	CNMG 160612-MM	5/8	.635	1/4	3/64	.031 - .187	.007 - .013	★	★		
CNMG 544-MM	CNMG 160616-MM	5/8	.635	1/4	1/16	.040 - .187	.008 - .014	★	★		
CNMG 642-MM	CNMG 190608-MM	3/4	.762	1/4	1/32	.020 - .234	.006 - .012	★	★		
CNMG 643-MM	CNMG 190612-MM	3/4	.762	1/4	3/64	.031 - .234	.007 - .013	★	★		
CNMG 644-MM	CNMG 190616-MM	3/4	.762	1/4	1/16	.040 - .234	.008 - .014	★	★		


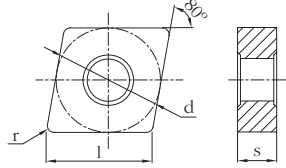
Ordering Example: 20 pcs CNMG 433-MM CP6225

REFERENCE PAGES

GRADE SELECTION GUIDE	6	TECHNICAL INFORMATION	59	CUTTING SPEED RECOMMENDATIONS	66
-----------------------	----------	-----------------------	-----------	-------------------------------	-----------

CNMG-KF											
						<p>Most popular shape / style of insert. All-purpose turning, facing and boring.</p> <p><i>KF: Lower cutting force geometry for Cast Iron. Edge geometry reduces cutting forces in moderate conditions / lighter cuts.</i></p>					
CATALOG NUMBER	ISO DESIGNATION	DIMENSIONS (INCH)				CUTTING DATA (INCH)		CAST IRON			
		d	l	s	r	depth of cut, a_p	feed per rev, f_n	CP4115	CP4125		
CNMG 431-KF	CNMG 120404-KF	1/2	.508	3/16	1/64	.012 - .203	.003 - .012	★	★		
CNMG 432-KF	CNMG 120408-KF	1/2	.508	3/16	1/32	.016 - .203	.004 - .014	★	★		


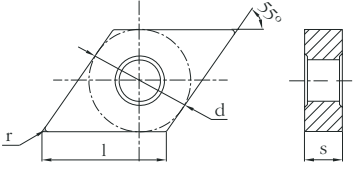
Ordering Example: 20 pcs CNMG 432-KF CP4115

CNMG-KM											
						<p>Most popular shape / style of insert. All-purpose turning, facing and boring.</p> <p><i>KM: Exceptionally broad application range geometry primarily for Cast Iron. Strong cutting edge, excellent durability. Semi-finishing to roughing.</i></p>					
CATALOG NUMBER	ISO DESIGNATION	DIMENSIONS (INCH)				CUTTING DATA (INCH)		CAST IRON			
		d	l	s	r	depth of cut, a_p	feed per rev, f_n	CP4115	CP4125		
CNMG 432-KM	CNMG 120408-KM	1/2	.508	3/16	1/32	.020 - .219	.004 - .016	★	★		
CNMG 433-KM	CNMG 120412-KM	1/2	.508	3/16	3/64	.031 - .219	.006 - .020	★	★		
CNMG 543-KM	CNMG 160612-KM	5/8	.635	1/4	3/64	.031 - .297	.006 - .020	★	★		
CNMG 544-KM	CNMG 160616-KM	5/8	.635	1/4	1/16	.040 - .297	.008 - .026		★		
CNMG 643-KM	CNMG 190612-KM	3/4	.762	1/4	3/64	.031 - .359	.006 - .020	★	★		
CNMG 644-KM	CNMG 190616-KM	3/4	.762	1/4	1/16	.040 - .359	.008 - .026		★		

Ordering Example: 20 pcs CNMG 643-KM CP4125


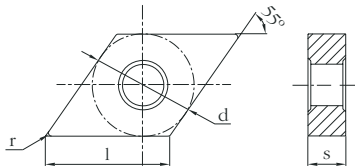
REFERENCE PAGES			
GRADE SELECTION GUIDE	6	TECHNICAL INFORMATION	59
CUTTING SPEED RECOMMENDATIONS	66		

DNMG-PF

		<p>Use for profile turning, copy turning, and semi-finishing. Can turn more complex shapes due to 55° included angle.</p> <p><i>PF: First Choice Geometry for finishing and semi-finishing applications in all types of Steel.</i></p>									
CATALOG NUMBER	ISO DESIGNATION	DIMENSIONS (INCH)				CUTTING DATA (INCH)		STEEL			
		d	l	s	r	depth of cut, a_p	feed per rev, f_n	CP2105	CP2115	CP2125	
DNMG 331-PF	DNMG 110404-PF	3/8	.458	3/16	1/64	.010 - .062	.003 - .010		★	★	
DNMG 332-PF	DNMG 110408-PF	3/8	.458	3/16	1/32	.016 - .080	.004 - .014		★	★	
DNMG 431-PF	DNMG 150404-PF	1/2	.610	3/16	1/64	.010 - .062	.003 - .010	★	★	★	
DNMG 432-PF	DNMG 150408-PF	1/2	.610	3/16	1/32	.016 - .080	.004 - .014	★	★	★	

Ordering Example: 20 pcs DNMG 432-PF CP2105

DNMG-PM

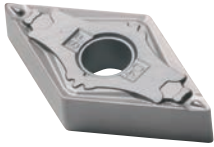
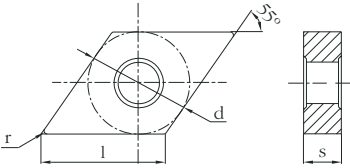
		<p>Use for profile turning, copy turning, and semi-finishing. Can turn more complex shapes due to 55° included angle.</p> <p><i>PM: First Choice Geometry for medium to semi-roughing applications in all types of Steel.</i></p>									
CATALOG NUMBER	ISO DESIGNATION	DIMENSIONS (INCH)				CUTTING DATA (INCH)		STEEL			
		d	l	s	r	depth of cut, a_p	feed per rev, f_n	CP2105	CP2115	CP2125	
DNMG 331-PM	DNMG 110404-PM	3/8	.458	3/16	1/64	.016 - .156	.005 - .014		★	★	
DNMG 332-PM	DNMG 110408-PM	3/8	.458	3/16	1/32	.020 - .156	.006 - .016		★	★	
DNMG 333-PM	DNMG 110412-PM	3/8	.458	3/16	3/64	.031 - .156	.007 - .018		★	★	
DNMG 431-PM	DNMG 150404-PM	1/2	.610	3/16	1/64	.016 - .187	.005 - .014	★	★	★	
DNMG 432-PM	DNMG 150408-PM	1/2	.610	3/16	1/32	.020 - .187	.006 - .016	★	★	★	
DNMG 433-PM	DNMG 150412-PM	1/2	.610	3/16	3/64	.031 - .187	.007 - .018		★	★	

Ordering Example: 20 pcs DNMG 333-PM CP2125

REFERENCE PAGES

GRADE SELECTION GUIDE	6	TECHNICAL INFORMATION	59	CUTTING SPEED RECOMMENDATIONS	66
-----------------------	----------	-----------------------	-----------	-------------------------------	-----------


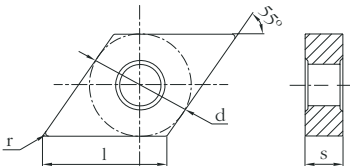
DNMG-MF

		<p>Use for profile turning, copy turning, and semi-finishing. Can turn more complex shapes due to 55° included angle.</p> <p><i>MF: Ultra-sharp cutting edge geometry for finishing in Stainless Steels. Low cutting forces and superior workpiece surface finish without burrs.</i></p>										
CATALOG NUMBER	ISO DESIGNATION	DIMENSIONS (INCH)				CUTTING DATA (INCH)		STAINLESS STEEL				
		d	l	s	r	depth of cut, a_p	feed per rev, f_n	CP6215				
DNMG 431-MF	DNMG 150404-MF	1/2	.610	3/16	1/64	.004 - .060	.002 - .012	★				
DNMG 432-MF	DNMG 150408-MF	1/2	.610	3/16	1/32	.004 - .060	.002 - .012	★				

Ordering Example: 20 pcs DNMG 431-MF CP6215

NOTE: The primary application area for grade CP6215 is in stainless steel workpiece materials. CP6215 is also suitable for use with iron-based, cobalt-based and nickel-based Heat Resistant Super Alloys.

DNMG-MM


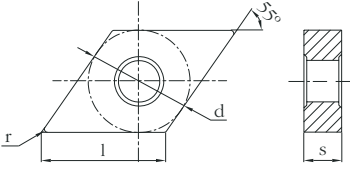
		<p>Use for profile turning, copy turning, and semi-finishing. Can turn more complex shapes due to 55° included angle.</p> <p><i>MM: Keen edge geometry especially for Stainless Steel. Unique edgeline reduces work hardening. Semi-finishing to rough machining.</i></p>										
CATALOG NUMBER	ISO DESIGNATION	DIMENSIONS (INCH)				CUTTING DATA (INCH)		STAINLESS STEEL				
		d	l	s	r	depth of cut, a_p	feed per rev, f_n	CP6025	CP6225			
DNMG 331-MM	DNMG 110404-MM	3/8	.458	3/16	1/64	.016 - .141	.006 - .011	★				
DNMG 332-MM	DNMG 110408-MM	3/8	.458	3/16	1/32	.020 - .141	.006 - .012	★	★			
DNMG 333-MM	DNMG 110412-MM	3/8	.458	3/16	3/64	.031 - .141	.007 - .013	★	★			
DNMG 431-MM	DNMG 150404-MM	1/2	.610	3/16	1/64	.016 - .172	.006 - .011	★	★			
DNMG 432-MM	DNMG 150408-MM	1/2	.610	3/16	1/32	.020 - .172	.006 - .012	★	★			
DNMG 433-MM	DNMG 150412-MM	1/2	.610	3/16	3/64	.031 - .172	.007 - .013	★	★			

Ordering Example: 20 pcs DNMG 431-MM CP6025

REFERENCE PAGES


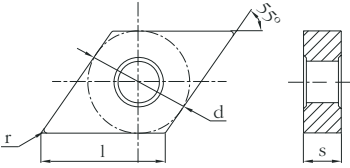
GRADE SELECTION GUIDE	6	TECHNICAL INFORMATION	59	CUTTING SPEED RECOMMENDATIONS	66
-----------------------	----------	-----------------------	-----------	-------------------------------	-----------

DNMG-KF

		Use for profile turning, copy turning, and semi-finishing. Can turn more complex shapes due to 55° included angle. <i>KF: Lower cutting force geometry for Cast Iron. Edge geometry reduces cutting forces in moderate conditions / lighter cuts.</i>									
		DIMENSIONS (INCH)		CUTTING DATA (INCH)		CAST IRON					
CATALOG NUMBER	ISO DESIGNATION	d	l	s	r	depth of cut, a_p	feed per rev, f_n	CP4115	CP4125		
DNMG 431-KF	DNMG 150404-KF	1/2	.610	3/16	1/64	.012 - .203	.003 - .012	★	★		
DNMG 432-KF	DNMG 150408-KF	1/2	.610	3/16	1/32	.016 - .203	.004 - .014	★	★		

Ordering Example: 20 pcs DNMG 432-KF CP4125

DNMG-KM

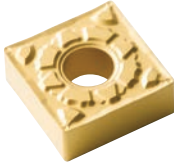
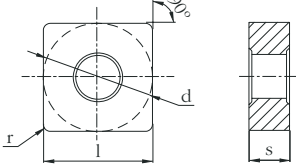
		Use for profile turning, copy turning, and semi-finishing. Can turn more complex shapes due to 55° included angle. <i>KM: Exceptionally broad application range geometry primarily for Cast Iron. Strong cutting edge, excellent durability. Semi-finishing to roughing.</i>									
		DIMENSIONS (INCH)		CUTTING DATA (INCH)		CAST IRON					
CATALOG NUMBER	ISO DESIGNATION	d	l	s	r	depth of cut, a_p	feed per rev, f_n	CP4115	CP4125		
DNMG 432-KM	DNMG 150408-KM	1/2	.610	3/16	1/32	.020 - .219	.004 - .016	★	★		
DNMG 433-KM	DNMG 150412-KM	1/2	.610	3/16	3/64	.031 - .219	.006 - .020	★	★		

Ordering Example: 20 pcs DNMG 433-KM CP4125

REFERENCE PAGES


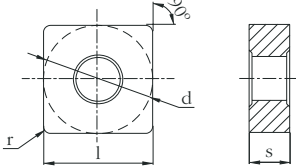
GRADE SELECTION GUIDE	6	TECHNICAL INFORMATION	59	CUTTING SPEED RECOMMENDATIONS	66
-----------------------	----------	-----------------------	-----------	-------------------------------	-----------

SNMG-PF

		Excellent economy due to 8 cutting edges. Strong insert shape. Mainly for rough facing and chamfering (not turning to a shoulder). <i>PF: First Choice Geometry for finishing and semi-finishing applications in all types of Steel.</i>									
CATALOG NUMBER	ISO DESIGNATION	DIMENSIONS (INCH)				CUTTING DATA (INCH)		STEEL			
		d	l	s	r	depth of cut, a_p	feed per rev, f_n	CP2105	CP2115	CP2125	
SNMG 321-PF	SNMG 090304-PF	3/8	.375	1/8	1/64	.010 - .062	.003 - .010		★	★	
SNMG 322-PF	SNMG 090308-PF	3/8	.375	1/8	1/32	.016 - .080	.004 - .014		★	★	
SNMG 431-PF	SNMG 120404-PF	1/2	.500	3/16	1/64	.010 - .062	.003 - .010	★	★	★	
SNMG 432-PF	SNMG 120408-PF	1/2	.500	3/16	1/32	.016 - .080	.004 - .014	★	★	★	

Ordering Example: 20 pcs SNMG 432-PF CP2115

SNMG-PX

		Excellent economy due to 8 cutting edges. Strong insert shape. Mainly for rough facing and chamfering (not turning to a shoulder). <i>PX: Sharp Edge Geometry for turning and facing unstable workpieces. Can handle a wide range of depths of cut.</i>									
CATALOG NUMBER	ISO DESIGNATION	DIMENSIONS (INCH)				CUTTING DATA (INCH)		STEEL			
		d	l	s	r	depth of cut, a_p	feed per rev, f_n	CP2125			
SNMG 432R-PX	SNMG 120408R-PX	1/2	.500	3/16	1/32	.031 - .187	.006 - .016	★			
SNMG 432L-PX	SNMG 120408L-PX	1/2	.500	3/16	1/32	.031 - .187	.006 - .016	★			

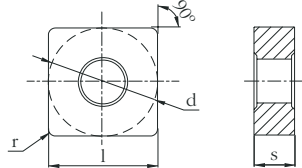
Ordering Example: 20 pcs SNMG 432R-PX CP2125

NOTE: PX geometry inserts are available in both R (Right-hand) and L (left-hand) styles. Right-hand style is shown above. Normal External Turning applications require Right-hand (R) inserts in Right-hand holders, and Left-hand (L) inserts in Left-hand holders. For Internal / Boring applications, Left-hand (L) inserts are used in Right-hand bars, and Right-hand (R) inserts are used in Left-hand bars.

REFERENCE PAGES

GRADE SELECTION GUIDE	6	TECHNICAL INFORMATION	59	CUTTING SPEED RECOMMENDATIONS	66
-----------------------	----------	-----------------------	-----------	-------------------------------	-----------

SNMG-PM



Excellent economy due to 8 cutting edges. Strong insert shape. Mainly for rough facing and chamfering (not turning to a shoulder).

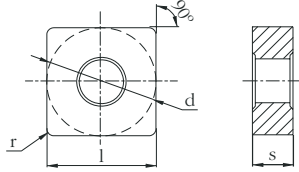
PM: First Choice Geometry for medium to semi-roughing applications in all types of Steel.

CATALOG NUMBER	ISO DESIGNATION	DIMENSIONS (INCH)				CUTTING DATA (INCH)		STEEL			
		d	l	s	r	depth of cut, a_p	feed per rev, f_n	CP2105	CP2115	CP2125	
SNMG 321-PM	SNMG 090304-PM	3/8	.375	1/8	1/64	.016 - .141	.005 - .014		★	★	
SNMG 322-PM	SNMG 090308-PM	3/8	.375	1/8	1/32	.020 - .141	.006 - .016		★	★	
SNMG 431-PM	SNMG 120404-PM	1/2	.500	3/16	1/64	.016 - .187	.005 - .014		★	★	
SNMG 432-PM	SNMG 120408-PM	1/2	.500	3/16	1/32	.020 - .187	.006 - .016	★	★	★	
SNMG 433-PM	SNMG 120412-PM	1/2	.500	3/16	3/64	.031 - .187	.007 - .018	★	★	★	
SNMG 434-PM	SNMG 120416-PM	1/2	.500	3/16	1/16	.040 - .187	.008 - .020			★	
SNMG 542-PM	SNMG 150608-PM	5/8	.625	1/4	1/32	.020 - .219	.006 - .016		★	★	
SNMG 543-PM	SNMG 150612-PM	5/8	.625	1/4	3/64	.031 - .219	.007 - .018	★	★	★	
SNMG 643-PM	SNMG 190612-PM	3/4	.750	1/4	3/64	.031 - .266	.007 - .018	★	★	★	

Ordering Example: 20 pcs SNMG 542-PM CP2125

REFERENCE PAGES			
GRADE SELECTION GUIDE	6	TECHNICAL INFORMATION	59
CUTTING SPEED RECOMMENDATIONS	66		

SNMG-PR



Excellent economy due to 8 cutting edges. Strong insert shape. Mainly for rough facing and chamfering (not turning to a shoulder).

PR: Strong cutting edge geometry for roughing applications in all types of Steel. Well suited for unstable conditions and interrupted cuts.

CATALOG NUMBER	ISO DESIGNATION	DIMENSIONS (INCH)				CUTTING DATA (INCH)		STEEL			
		d	l	s	r	depth of cut, a_p	feed per rev, f_n	CP2105	CP2115	CP2125	
SNMG 432-PR	SNMG 120408-PR	1/2	.500	3/16	1/32	.028 - .219	.007 - .020	★	★	★	
SNMG 433-PR	SNMG 120412-PR	1/2	.500	3/16	3/64	.040 - .219	.008 - .022	★		★	
SNMG 543-PR	SNMG 150612-PR	5/8	.625	1/4	3/64	.040 - .266	.008 - .022	★	★	★	
SNMG 544-PR	SNMG 150616-PR	5/8	.625	1/4	1/16	.055 - .266	.009 - .026	★		★	
SNMG 643-PR	SNMG 190612-PR	3/4	.750	1/4	3/64	.040 - .328	.008 - .022	★	★	★	
SNMG 644-PR	SNMG 190616-PR	3/4	.750	1/4	1/16	.055 - .328	.009 - .026	★		★	

Ordering Example: 20 pcs SNMG 643-PR CP2125

REFERENCE PAGES			
GRADE SELECTION GUIDE	6	TECHNICAL INFORMATION	59
CUTTING SPEED RECOMMENDATIONS	66		


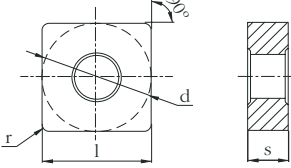
SNMG-MM

		<p>Excellent economy due to 8 cutting edges. Strong insert shape. Mainly for rough facing and chamfering (not turning to a shoulder).</p> <p><i>MM: Keen edge geometry especially for Stainless Steel. Unique edgeline reduces work hardening. Semi-finishing to rough machining.</i></p>
--	--	---

CATALOG NUMBER	ISO DESIGNATION	DIMENSIONS (INCH)				CUTTING DATA (INCH)		STAINLESS STEEL			
		d	l	s	r	depth of cut, a_p	feed per rev, f_n	CP6025	CP6225		
SNMG 321-MM	SNMG 090304-MM	3/8	.375	1/8	1/64	.016 - .125	.006 - .011	★	★		
SNMG 322-MM	SNMG 090308-MM	3/8	.375	1/8	1/32	.020 - .125	.006 - .012	★	★		
SNMG 431-MM	SNMG 120404-MM	1/2	.500	3/16	1/64	.016 - .156	.006 - .011	★	★		
SNMG 432-MM	SNMG 120408-MM	1/2	.500	3/16	1/32	.020 - .156	.006 - .012	★	★		
SNMG 433-MM	SNMG 120412-MM	1/2	.500	3/16	3/64	.031 - .156	.007 - .013	★	★		
SNMG 434-MM	SNMG 120416-MM	1/2	.500	3/16	1/16	.040 - .156	.008 - .014	★	★		
SNMG 542-MM	SNMG 150608-MM	5/8	.625	1/4	1/32	.020 - .187	.006 - .012	★	★		
SNMG 543-MM	SNMG 150612-MM	5/8	.625	1/4	3/64	.031 - .187	.007 - .013	★	★		
SNMG 544-MM	SNMG 150616-MM	5/8	.625	1/4	1/16	.040 - .187	.008 - .014	★	★		
SNMG 643-MM	SNMG 190612-MM	3/4	.750	1/4	3/64	.031 - .234	.007 - .013	★	★		
SNMG 644-MM	SNMG 190616-MM	3/4	.750	1/4	1/16	.040 - .234	.008 - .014	★	★		

Ordering Example: 20 pcs SNMG 643-MM CP6225


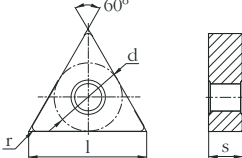
REFERENCE PAGES			
GRADE SELECTION GUIDE	6	TECHNICAL INFORMATION	59 CUTTING SPEED RECOMMENDATIONS 66

SNMG-KM											
						<p>Excellent economy due to 8 cutting edges. Strong insert shape. Mainly for rough facing and chamfering (not turning to a shoulder).</p> <p><i>KM: Exceptionally broad application range geometry primarily for Cast Iron. Strong cutting edge, excellent durability. Semi-finishing to roughing.</i></p>					
CATALOG NUMBER	ISO DESIGNATION	DIMENSIONS (INCH)				CUTTING DATA (INCH)		CAST IRON			
		d	l	s	r	depth of cut, a_p	feed per rev, f_n	CP4115	CP4125		
SNMG 432-KM	SNMG 120408-KM	1/2	.500	3/16	1/32	.020 - .219	.004 - .016	★	★		
SNMG 433-KM	SNMG 120412-KM	1/2	.500	3/16	3/64	.031 - .219	.006 - .020	★	★		
SNMG 434-KM	SNMG 120416-KM	1/2	.500	3/16	1/16	.040 - .219	.008 - .026		★		
SNMG 543-KM	SNMG 150612-KM	5/8	.625	1/4	3/64	.031 - .297	.006 - .020	★	★		
SNMG 544-KM	SNMG 150616-KM	5/8	.625	1/4	1/16	.040 - .297	.008 - .026		★		
SNMG 643-KM	SNMG 190612-KM	3/4	.750	1/4	3/64	.031 - .359	.006 - .020	★	★		
SNMG 644-KM	SNMG 190616-KM	3/4	.750	1/4	1/16	.040 - .359	.008 - .026		★		

Ordering Example: 20 pcs SNMG 432-KM CP4115


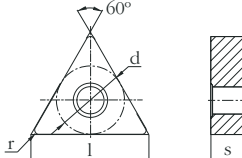
REFERENCE PAGES			
GRADE SELECTION GUIDE	6	TECHNICAL INFORMATION	59
CUTTING SPEED RECOMMENDATIONS	66		

TNMG-PF

		<p>Economical insert, 6 cutting edges. General purpose turning, facing and boring. Extra long cutting edge useful when turning to shoulders</p> <p><i>PF: First Choice Geometry for finishing and semi-finishing applications in all types of Steel.</i></p>									
CATALOG NUMBER	ISO DESIGNATION	DIMENSIONS (INCH)				CUTTING DATA (INCH)		STEEL			
		d	l	s	r	depth of cut, a_p	feed per rev, f_n	CP2105	CP2115	CP2125	
TNMG 331-PF	TNMG 160404-PF	3/8	.650	3/16	1/64	.010 - .062	.003 - .010	★	★	★	
TNMG 332-PF	TNMG 160408-PF	3/8	.650	3/16	1/32	.016 - .080	.004 - .014	★	★	★	
TNMG 431-PF	TNMG 220404-PF	1/2	.866	3/16	1/64	.010 - .062	.003 - .010		★	★	
TNMG 432-PF	TNMG 220408-PF	1/2	.866	3/16	1/32	.016 - .080	.004 - .014		★	★	

Ordering Example: 20 pcs TNMG 332-PF CP2125

TNMG-PX


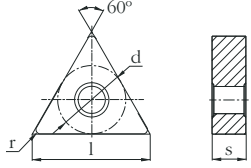
		<p>Economical insert, 6 cutting edges. General purpose turning, facing and boring. Extra long cutting edge useful when turning to shoulders.</p> <p><i>PX: Sharp Edge Geometry for shaft turning, boring and unstable workpieces. Can handle a wide range of depths of cut.</i></p>									
CATALOG NUMBER	ISO DESIGNATION	DIMENSIONS (INCH)				CUTTING DATA (INCH)		STEEL			
		d	l	s	r	depth of cut, a_p	feed per rev, f_n	CP2125			
TNMG 331R-PX	TNMG 160404R-PX	3/8	.650	3/16	1/64	.024 - .187	.006 - .014	★			
TNMG 331L-PX	TNMG 160404L-PX	3/8	.650	3/16	1/64	.024 - .187	.006 - .014	★			
TNMG 332R-PX	TNMG 160408R-PX	3/8	.650	3/16	1/32	.031 - .187	.006 - .016	★			
TNMG 332L-PX	TNMG 160408L-PX	3/8	.650	3/16	1/32	.031 - .187	.006 - .016	★			

Ordering Example: 20 pcs TNMG 331R-PX CP2125

NOTE: PX geometry inserts are available in both R (Right-hand) and L (left-hand) styles. Right-hand style is shown above. Normal External Turning applications require Right-hand (R) inserts in Right-hand holders, and Left-hand (L) inserts in Left-hand holders. For Internal / Boring applications, Left-hand (L) inserts are used in Right-hand bars, and Right-hand (R) inserts are used in Left-hand bars.

REFERENCE PAGES


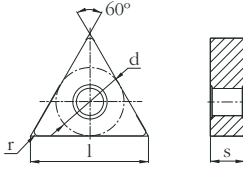
GRADE SELECTION GUIDE	6	TECHNICAL INFORMATION	59	CUTTING SPEED RECOMMENDATIONS	66
-----------------------	----------	-----------------------	-----------	-------------------------------	-----------

TNMG-PM											
						<p>Economical insert, 6 cutting edges. General purpose turning, facing and boring. Extra long cutting edge useful when turning to shoulders.</p> <p><i>PM: First Choice Geometry for medium to semi-roughing applications in all types of Steel.</i></p>					
CATALOG NUMBER	ISO DESIGNATION	DIMENSIONS (INCH)				CUTTING DATA (INCH)		STEEL			
		d	l	s	r	depth of cut, a_p	feed per rev, f_n	CP2105	CP2115	CP2125	
TNMG 221-PM	TNMG 110304-PM	1/4	.433	1/8	1/64	.016 - .109	.004 - .012		★	★	
TNMG 222-PM	TNMG 110308-PM	1/4	.433	1/8	1/32	.020 - .109	.005 - .014		★	★	
TNMG 331-PM	TNMG 160404-PM	3/8	.650	3/16	1/64	.016 - .156	.005 - .014	★	★	★	
TNMG 332-PM	TNMG 160408-PM	3/8	.650	3/16	1/32	.020 - .156	.006 - .016	★	★	★	
TNMG 333-PM	TNMG 160412-PM	3/8	.650	3/16	3/64	.031 - .156	.007 - .018	★	★	★	
TNMG 432-PM	TNMG 220408-PM	1/2	.866	3/16	1/32	.020 - .187	.006 - .016		★	★	
TNMG 433-PM	TNMG 220412-PM	1/2	.866	3/16	3/64	.031 - .187	.007 - .018		★	★	
TNMG 434-PM	TNMG 220416-PM	1/2	.866	3/16	1/16	.040 - .187	.008 - .020			★	

Ordering Example: 20 pcs TNMG 333-PM CP2115

REFERENCE PAGES			
GRADE SELECTION GUIDE	6	TECHNICAL INFORMATION	59
CUTTING SPEED RECOMMENDATIONS	66		


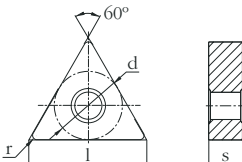
TNMG-MF

		<p>Economical insert, 6 cutting edges. General purpose turning, facing and boring. Extra long cutting edge useful when turning to shoulders.</p> <p><i>MF: Ultra-sharp cutting edge geometry for finishing in Stainless Steels. Low cutting forces and superior workpiece surface finish without burrs.</i></p>										
CATALOG NUMBER	ISO DESIGNATION	DIMENSIONS (INCH)				CUTTING DATA (INCH)		STAINLESS STEEL				
		d	l	s	r	depth of cut, a_p	feed per rev, f_n	CP6215				
TNMG 331-MF	TNMG 160404-MF	3/8	.650	3/16	1/64	.004 - .060	.002 - .012	★				
TNMG 332-MF	TNMG 160408-MF	3/8	.650	3/16	1/32	.004 - .060	.002 - .012	★				

Ordering Example: 20 pcs TNMG 331-MF CP6215

NOTE: The primary application area for grade CP6215 is in stainless steel workpiece materials. CP6215 is also suitable for use with iron-based, cobalt-based and nickel-based Heat Resistant Super Alloys.

TNMG-MM


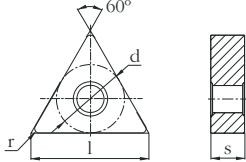
		<p>Economical insert, 6 cutting edges. General purpose turning, facing and boring. Extra long cutting edge useful when turning to shoulders.</p> <p><i>MM: Keen edge geometry especially for Stainless Steel. Unique edgeline reduces work hardening. Semi-finishing to rough machining.</i></p>									
CATALOG NUMBER	ISO DESIGNATION	DIMENSIONS (INCH)				CUTTING DATA (INCH)		STAINLESS STEEL			
		d	l	s	r	depth of cut, a_p	feed per rev, f_n	CP6025	CP6225		
TNMG 331-MM	TNMG 160404-MM	3/8	.650	3/16	1/64	.016 - .141	.006 - .011	★	★		
TNMG 332-MM	TNMG 160408-MM	3/8	.650	3/16	1/32	.020 - .141	.006 - .012	★	★		
TNMG 333-MM	TNMG 160412-MM	3/8	.650	3/16	3/64	.031 - .141	.007 - .013	★	★		
TNMG 432-MM	TNMG 220408-MM	1/2	.866	3/16	1/32	.020 - .172	.006 - .012	★	★		
TNMG 433-MM	TNMG 220412-MM	1/2	.866	3/16	3/64	.031 - .172	.007 - .013	★	★		
TNMG 434-MM	TNMG 220416-MM	1/2	.866	3/16	1/16	.040 - .172	.008 - .014	★	★		

Ordering Example: 20 pcs TNMG 432-MM CP6225

REFERENCE PAGES

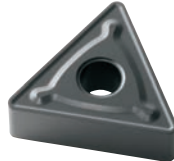
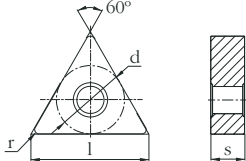
GRADE SELECTION GUIDE	6	TECHNICAL INFORMATION	59	CUTTING SPEED RECOMMENDATIONS	66
-----------------------	----------	-----------------------	-----------	-------------------------------	-----------

TNMG-KF

		<p>Economical insert, 6 cutting edges. General purpose turning, facing and boring. Extra long cutting edge useful when turning to shoulders.</p> <p><i>KF: Lower cutting force geometry for Cast Iron. Edge geometry reduces cutting forces in moderate conditions / lighter cuts.</i></p>									
CATALOG NUMBER	ISO DESIGNATION	DIMENSIONS (INCH)				CUTTING DATA (INCH)		CAST IRON			
		d	l	s	r	depth of cut, a_p	feed per rev, f_n	CP4115	CP4125		
TNMG 331-KF	TNMG 160404-KF	3/8	.650	3/16	1/64	.012 - .187	.003 - .012	★	★		
TNMG 332-KF	TNMG 160408-KF	3/8	.650	3/16	1/32	.016 - .187	.004 - .014	★	★		

Ordering Example: 20 pcs TNMG 331-KF CP4115

TNMG-KM


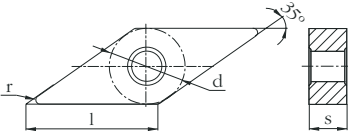
		<p>Economical insert, 6 cutting edges. General purpose turning, facing and boring. Extra long cutting edge useful when turning to shoulders.</p> <p><i>KM: Exceptionally broad application range geometry primarily for Cast Iron. Strong cutting edge, excellent durability. Semi-finishing to roughing.</i></p>									
CATALOG NUMBER	ISO DESIGNATION	DIMENSIONS (INCH)				CUTTING DATA (INCH)		CAST IRON			
		d	l	s	r	depth of cut, a_p	feed per rev, f_n	CP4115	CP4125		
TNMG 332-KM	TNMG 160408-KM	3/8	.650	3/16	1/32	.020 - .203	.004 - .016	★	★		
TNMG 333-KM	TNMG 160412-KM	3/8	.650	3/16	3/64	.031 - .203	.006 - .020	★	★		
TNMG 432-KM	TNMG 220408-KM	1/2	.866	3/16	1/32	.020 - .219	.004 - .016	★	★		
TNMG 433-KM	TNMG 220412-KM	1/2	.866	3/16	3/64	.031 - .219	.006 - .020	★	★		
TNMG 434-KM	TNMG 220416-KM	1/2	.866	3/16	1/16	.040 - .219	.008 - .026		★		
TNMG 543-KM	TNMG 270612-KM	5/8	1.083	1/4	3/64	.031 - .297	.006 - .020	★	★		
TNMG 544-KM	TNMG 270616-KM	5/8	1.083	1/4	1/16	.040 - .297	.008 - .026		★		

Ordering Example: 20 pcs TNMG 434-KM CP4125

REFERENCE PAGES


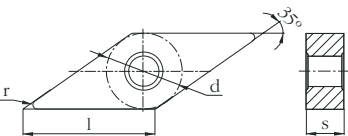
GRADE SELECTION GUIDE	6	TECHNICAL INFORMATION	59	CUTTING SPEED RECOMMENDATIONS	66
-----------------------	----------	-----------------------	-----------	-------------------------------	-----------

VNMG-PF

		<p>Double-sided 35° diamond. Profiling and copy turning. Not recommended for boring operations due to high negative rake of boring bar pocket.</p> <p><i>PF: First Choice Geometry for finishing and semi-finishing applications in all types of Steel.</i></p>									
CATALOG NUMBER	ISO DESIGNATION	DIMENSIONS (INCH)				CUTTING DATA (INCH)		STEEL			
		d	l	s	r	depth of cut, a_p	feed per rev, f_n	CP2105	CP2115	CP2125	
VNMG 331-PF	VNMG 160404-PF	3/8	.654	3/16	1/64	.010 - .062	.003 - .010	★	★	★	
VNMG 332-PF	VNMG 160408-PF	3/8	.654	3/16	1/32	.016 - .080	.004 - .014	★	★	★	
VNMG 431-PF	VNMG 220404-PF	1/2	.872	3/16	1/64	.010 - .062	.003 - .010		★		
VNMG 432-PF	VNMG 220408-PF	1/2	.872	3/16	1/32	.016 - .080	.004 - .014		★		

Ordering Example: 20 pcs VNMG 432-PF CP2115

VNMG-PM


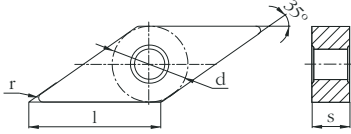
		<p>Double-sided 35° diamond. Profiling and copy turning. Not recommended for boring operations due to high negative rake of boring bar pocket.</p> <p><i>PM: First Choice Geometry for medium to semi-roughing applications in all types of Steel.</i></p>									
CATALOG NUMBER	ISO DESIGNATION	DIMENSIONS (INCH)				CUTTING DATA (INCH)		STEEL			
		d	l	s	r	depth of cut, a_p	feed per rev, f_n	CP2105	CP2115	CP2125	
VNMG 331-PM	VNMG 160404-PM	3/8	.654	3/16	1/64	.016 - .141	.005 - .014	★	★	★	
VNMG 332-PM	VNMG 160408-PM	3/8	.654	3/16	1/32	.020 - .141	.006 - .016	★	★	★	
VNMG 333-PM	VNMG 160412-PM	3/8	.654	3/16	3/64	.031 - .141	.007 - .018		★	★	

Ordering Example: 20 pcs VNMG 332-PM CP2125

REFERENCE PAGES

GRADE SELECTION GUIDE	6	TECHNICAL INFORMATION	59	CUTTING SPEED RECOMMENDATIONS	66
-----------------------	----------	-----------------------	-----------	-------------------------------	-----------


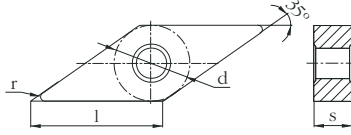
VNMG-MF

		<p>Double sided 35° diamond. Profiling and copy turning. Not recommended for boring operations due to high negative rake of boring bar pocket.</p> <p><i>MF: Ultra-sharp cutting edge geometry for finishing in Stainless Steels. Low cutting forces and superior workpiece surface finish without burrs.</i></p>										
CATALOG NUMBER	ISO DESIGNATION	DIMENSIONS (INCH)				CUTTING DATA (INCH)		STAINLESS STEEL				
		d	l	s	r	depth of cut, a_p	feed per rev, f_n	CP6215				
VNMG 331-MF	VNMG 160404-MF	3/8	.654	3/16	1/64	.004 - .060	.002 - .012	★				
VNMG 332-MF	VNMG 160408-MF	3/8	.654	3/16	1/32	.004 - .060	.002 - .012	★				

Ordering Example: 20 pcs VNMG 331-MF CP6215

NOTE: The primary application area for grade CP6215 is in stainless steel workpiece materials. CP6215 is also suitable for use with iron-based, cobalt-based and nickel-based Heat Resistant Super Alloys.

VNMG-MM

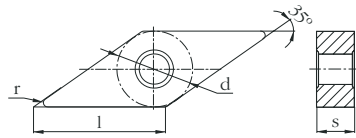
		<p>Double-sided 35° diamond. Profiling and copy turning. Not recommended for boring operations due to high negative rake of boring bar pocket.</p> <p><i>MM: Keen edge geometry especially for Stainless Steel. Unique edgeline reduces work hardening. Semi-finishing to rough machining.</i></p>									
CATALOG NUMBER	ISO DESIGNATION	DIMENSIONS (INCH)				CUTTING DATA (INCH)		STAINLESS STEEL			
		d	l	s	r	depth of cut, a_p	feed per rev, f_n	CP6025	CP6225		
VNMG 331-MM	VNMG 160404-MM	3/8	.654	3/16	1/64	.016 - .125	.006 - .011	★	★		
VNMG 332-MM	VNMG 160408-MM	3/8	.654	3/16	1/32	.020 - .125	.006 - .012	★	★		

Ordering Example: 20 pcs VNMG 331-MM CP6025

REFERENCE PAGES

GRADE SELECTION GUIDE	6	TECHNICAL INFORMATION	59	CUTTING SPEED RECOMMENDATIONS	66
-----------------------	----------	-----------------------	-----------	-------------------------------	-----------

VNMG-KF



Double-sided 35° diamond. Profiling and copy turning. Not recommended for boring operations due to high negative rake of boring bar pocket.


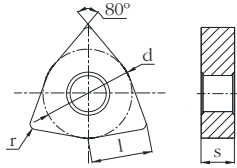
KF: Lower cutting force geometry for Cast Iron. Edge geometry reduces cutting forces in moderate conditions / lighter cuts.

CATALOG NUMBER	ISO DESIGNATION	DIMENSIONS (INCH)				CUTTING DATA (INCH)		CAST IRON			
		d	l	s	r	depth of cut, a_p	feed per rev, f_n	CP4115	CP4125		
VNMG 331-KF	VNMG 160404-KF	3/8	.654	3/16	1/64	.012 - .156	.003 - .012	★	★		
VNMG 332-KF	VNMG 160408-KF	3/8	.654	3/16	1/32	.016 - .156	.004 - .014	★	★		

Ordering Example: 20 pcs VNMG 331-KF CP4115


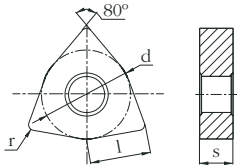
REFERENCE PAGES			
GRADE SELECTION GUIDE	6	TECHNICAL INFORMATION	59
CUTTING SPEED RECOMMENDATIONS	66		

WNMG-PF

		<p>General purpose turning, facing and boring. 80° corner with 6 cutting edges. Maximum economy. Good choice for general turning.</p> <p><i>PF: First Choice Geometry for finishing and semi-finishing applications in all types of Steel.</i></p>									
CATALOG NUMBER	ISO DESIGNATION	DIMENSIONS (INCH)				CUTTING DATA (INCH)		STEEL			
		d	l	s	r	depth of cut, a_p	feed per rev, f_n	CP2105	CP2115	CP2125	
WNMG 331-PF	WNMG 060404-PF	3/8	.257	3/16	1/64	.010 - .062	.003 - .010		★	★	
WNMG 332-PF	WNMG 060408-PF	3/8	.257	3/16	1/32	.016 - .080	.004 - .014		★	★	
WNMG 431-PF	WNMG 080404-PF	1/2	.342	3/16	1/64	.010 - .062	.003 - .010	★	★	★	
WNMG 432-PF	WNMG 080408-PF	1/2	.342	3/16	1/32	.016 - .080	.004 - .014	★	★	★	

Ordering Example: 20 pcs WNMG 332-PF CP2125


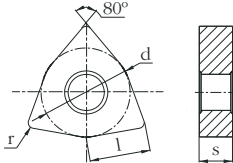
WNMG-PM

		<p>General purpose turning, facing and boring. 80° corner with 6 cutting edges. Maximum economy. Good choice for general turning.</p> <p><i>PM: First Choice Geometry for medium to semi-roughing applications in all types of Steel.</i></p>									
CATALOG NUMBER	ISO DESIGNATION	DIMENSIONS (INCH)				CUTTING DATA (INCH)		STEEL			
		d	l	s	r	depth of cut, a_p	feed per rev, f_n	CP2105	CP2115	CP2125	
WNMG 331-PM	WNMG 060404-PM	3/8	.257	3/16	1/64	.016 - .109	.005 - .014		★	★	
WNMG 332-PM	WNMG 060408-PM	3/8	.257	3/16	1/32	.020 - .109	.006 - .016		★	★	
WNMG 431-PM	WNMG 080404-PM	1/2	.342	3/16	1/64	.016 - .141	.005 - .014	★	★	★	
WNMG 432-PM	WNMG 080408-PM	1/2	.342	3/16	1/32	.020 - .141	.006 - .016	★	★	★	
WNMG 433-PM	WNMG 080412-PM	1/2	.342	3/16	3/64	.031 - .141	.007 - .018	★	★	★	
WNMG 434-PM	WNMG 080416-PM	1/2	.342	3/16	1/16	.040 - .141	.008 - .020			★	

Ordering Example: 20 pcs WNMG 432-PM CP2125

REFERENCE PAGES


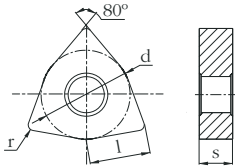
GRADE SELECTION GUIDE	6	TECHNICAL INFORMATION	59	CUTTING SPEED RECOMMENDATIONS	66
-----------------------	----------	-----------------------	-----------	-------------------------------	-----------

WNMG-PR											
						<p>General purpose turning, facing and boring. 80° corner with 6 cutting edges. Maximum economy. Good choice for general turning.</p> <p><i>PR: Strong cutting edge geometry for roughing applications in all types of Steel. Well suited for unstable conditions and interrupted cuts.</i></p>					
CATALOG NUMBER	ISO DESIGNATION	DIMENSIONS (INCH)				CUTTING DATA (INCH)		STEEL			
		d	l	s	r	depth of cut, a_p	feed per rev, f_n	CP2105	CP2115	CP2125	CP2135
WNMG 432-PR	WNMG 080408-PR	1/2	.342	3/16	1/32	.028 - .172	.007 - .020	★	★	★	★
WNMG 433-PR	WNMG 080412-PR	1/2	.342	3/16	3/64	.040 - .172	.008 - .022	★	★	★	★
WNMG 434-PR	WNMG 080416-PR	1/2	.342	3/16	1/16	.055 - .172	.009 - .026		★		★

Ordering Example: 20 pcs WNMG 433-PR CP2135

REFERENCE PAGES			
GRADE SELECTION GUIDE	6	TECHNICAL INFORMATION	59
CUTTING SPEED RECOMMENDATIONS	66		


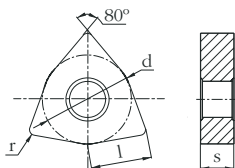
WNMG-MF

		<p>General purpose turning, facing and boring. 80° corner with 6 cutting edges. Maximum economy. Good choice for general turning.</p> <p><i>MF: Ultra-sharp cutting edge geometry for finishing in Stainless Steels. Low cutting forces and superior workpiece surface finish without burrs.</i></p>										
CATALOG NUMBER	ISO DESIGNATION	DIMENSIONS (INCH)				CUTTING DATA (INCH)		STAINLESS STEEL				
		d	l	s	r	depth of cut, a_p	feed per rev, f_n	CP6215				
WNMG 431-MF	WNMG 080404-MF	1/2	.342	3/16	1/64	.004 - .060	.002 - .012	★				
WNMG 432-MF	WNMG 080408-MF	1/2	.342	3/16	1/32	.004 - .060	.002 - .012	★				

Ordering Example: 20 pcs WNMG 432-MF CP6215

NOTE: The primary application area for grade CP6215 is in stainless steel workpiece materials. CP6215 is also suitable for use with iron-based, cobalt-based and nickel-based Heat Resistant Super Alloys.


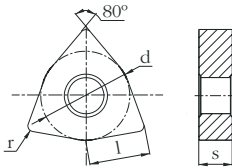
WNMG-MM

		<p>General purpose turning, facing and boring. 80° corner with 6 cutting edges. Maximum economy. Good choice for general turning.</p> <p><i>MM: Keen edge geometry especially for Stainless Steel. Unique edgeline reduces work hardening. Semi-finishing to rough machining.</i></p>									
CATALOG NUMBER	ISO DESIGNATION	DIMENSIONS (INCH)				CUTTING DATA (INCH)		STAINLESS STEEL			
		d	l	s	r	depth of cut, a_p	feed per rev, f_n	CP6025	CP6225		
WNMG 331-MM	WNMG 060404-MM	3/8	.257	3/16	1/64	.016 - .109	.006 - .011	★	★		
WNMG 332-MM	WNMG 060408-MM	3/8	.257	3/16	1/32	.020 - .109	.006 - .012	★	★		
WNMG 333-MM	WNMG 060412-MM	3/8	.257	3/16	3/64	.031 - .109	.007 - .013	★	★		
WNMG 431-MM	WNMG 080404-MM	1/2	.342	3/16	1/64	.016 - .125	.006 - .011	★	★		
WNMG 432-MM	WNMG 080408-MM	1/2	.342	3/16	1/32	.020 - .125	.006 - .012	★	★		
WNMG 433-MM	WNMG 080412-MM	1/2	.342	3/16	3/64	.031 - .125	.007 - .013	★	★		

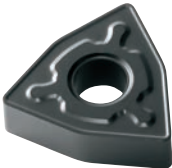
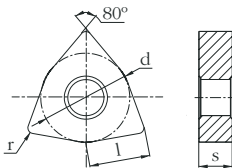
Ordering Example: 20 pcs WNMG 431-MM CP6025

REFERENCE PAGES

GRADE SELECTION GUIDE	6	TECHNICAL INFORMATION	59	CUTTING SPEED RECOMMENDATIONS	66
-----------------------	----------	-----------------------	-----------	-------------------------------	-----------

WNMG-KF											
		<p>General purpose turning, facing and boring. 80° corner with 6 cutting edges. Maximum economy. Good choice for general turning.</p> <p><i>KF: Lower cutting force geometry for Cast Iron. Edge geometry reduces cutting forces in moderate conditions / lighter cuts.</i></p>									
CATALOG NUMBER	ISO DESIGNATION	DIMENSIONS (INCH)				CUTTING DATA (INCH)		CAST IRON			
		d	l	s	r	depth of cut, a_p	feed per rev, f_n	CP4115	CP4125		
WNMG 431-KF	WNMG 080404-KF	1/2	.342	3/16	1/64	.012 - .156	.003 - .012	★	★		
WNMG 432-KF	WNMG 080408-KF	1/2	.342	3/16	1/32	.016 - .156	.004 - .014	★	★		

Ordering Example: 20 pcs WNMG 432-KF CP4125

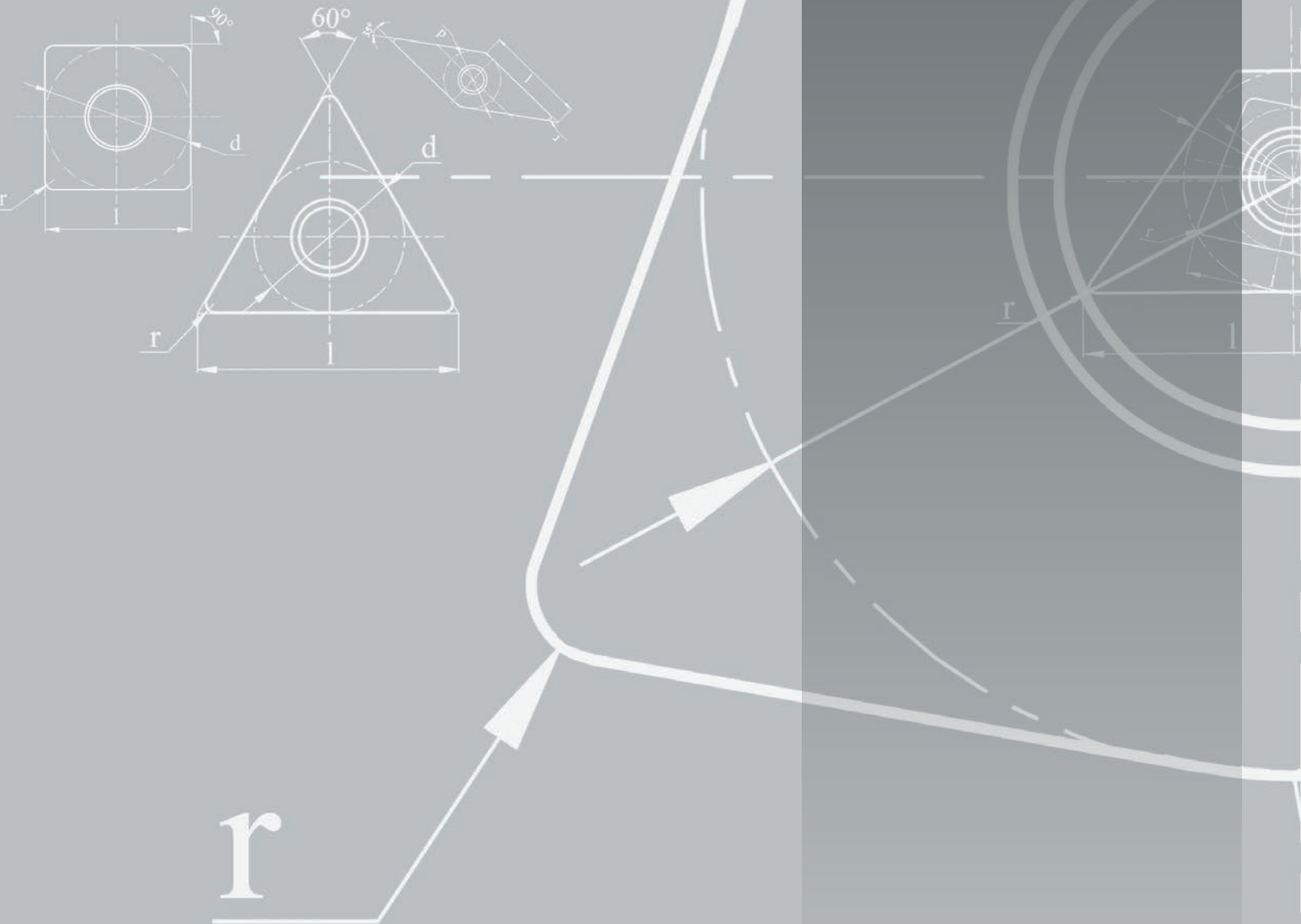
WNMG-KM											
		<p>General purpose turning, facing and boring. 80° corner with 6 cutting edges. Maximum economy. Good choice for general turning.</p> <p><i>KM: Exceptionally broad application range geometry primarily for Cast Iron. Strong cutting edge, excellent durability. Semi-finishing through to roughing.</i></p>									
CATALOG NUMBER	ISO DESIGNATION	DIMENSIONS (INCH)				CUTTING DATA (INCH)		CAST IRON			
		d	l	s	r	depth of cut, a_p	feed per rev, f_n	CP4115	CP4125		
WNMG 432-KM	WNMG 080408-KM	1/2	.342	3/16	1/32	.020 - .172	.004 - .016	★	★		
WNMG 433-KM	WNMG 080412-KM	1/2	.342	3/16	3/64	.031 - .172	.006 - .020	★	★		

Ordering Example: 20 pcs WNMG 432-KM CP4115

REFERENCE PAGES			
GRADE SELECTION GUIDE	6	TECHNICAL INFORMATION	59
CUTTING SPEED RECOMMENDATIONS	66		

TURNING INSERTS | POSITIVE RAKE

ANSI / ISO STANDARD INSERTS FOR
EXTERNAL TURNING AND INTERNAL
MACHINING OPERATIONS WITH
LOW CUTTING FORCES



WORKPIECE MATERIAL	ANSI	ISO	Coating Type		
			CVD	PVD	Uncoated
P Steel	C8	01	CP2105		
		10	CP2115		
	C7	20	CP2125	CP3225	
		30			
	C6	40			
M Stainless Steel	-	01		CP6215	CP3225
	-	10	CP6025		
	-	20			
	-	30			
K Cast Iron	C4	01	CP4115	CP3225	
	C3	10			
	C2	20			
	C1	30			
N Non-Ferrous Materials	C4	01		CP5225	CP23
	C3	10			
	C2	20			
	C1	30			
S Heat-Resistant Super Alloys	-	01		CP6215	
	-	10			
	-	20			
	-	30			

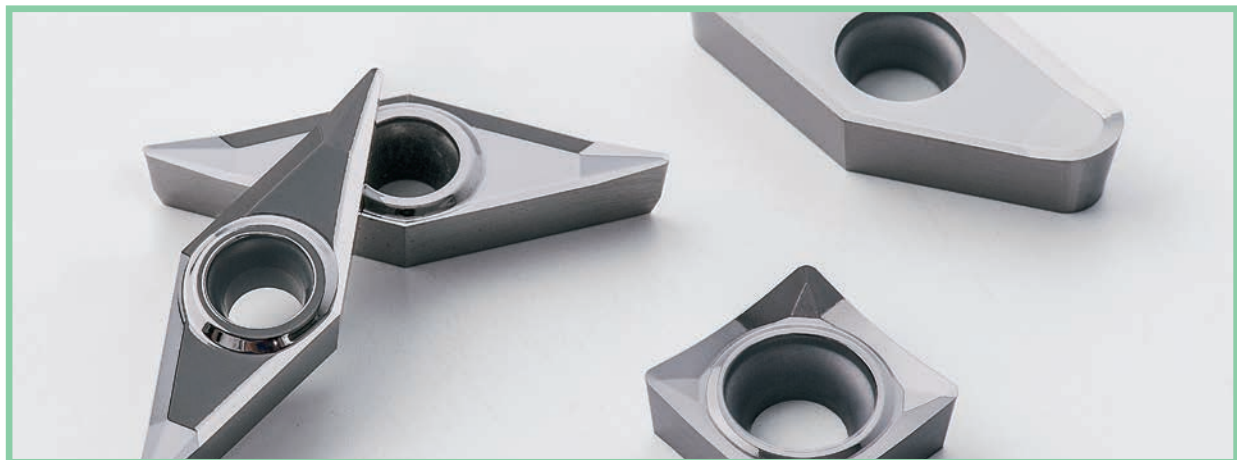


See pages 68 and 69 for more information on grades for turning.

Chipbreaker	Description	Chipbreaker Range	Design
UF	<ul style="list-style-type: none"> • High performance finishing chipbreaker • Double-positive chip control design • Exceptionally sharp cutting edge • Low cutting forces • Superior workpiece surface finish 		
<div style="display: flex; justify-content: space-around;"> <div style="background-color: #0070C0; color: white; padding: 5px; border-radius: 3px;">P</div> <div style="background-color: #FFD700; color: black; padding: 5px; border-radius: 3px;">M</div> </div>			

UM	<ul style="list-style-type: none"> • Good all around geometry for Positive Inserts • Works in a broad range of materials • Double-positive chip control design • Reduced top land for feed rates < .004" • 11° Style inserts primarily used for boring 		
<div style="display: flex; justify-content: space-around;"> <div style="background-color: #0070C0; color: white; padding: 5px; border-radius: 3px;">P</div> <div style="background-color: #FFD700; color: black; padding: 5px; border-radius: 3px;">M</div> <div style="background-color: #DC143C; color: white; padding: 5px; border-radius: 3px;">K</div> </div>			

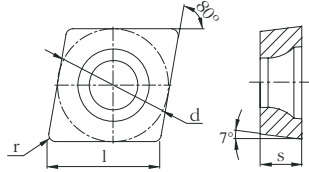
UR	<ul style="list-style-type: none"> • Roughing chipbreaker - tough and strong • High fracture resistance • Variable land cutting edge design • Smooth cutting action and chip flow • Exceptional performance in steel and cast iron 		
<div style="display: flex; justify-content: space-around;"> <div style="background-color: #0070C0; color: white; padding: 5px; border-radius: 3px;">P</div> <div style="background-color: #DC143C; color: white; padding: 5px; border-radius: 3px;">K</div> </div>			



NX chipbreaker inserts for aluminum and other non-ferrous materials

NX	<ul style="list-style-type: none"> • Ultra-sharp edge with polished rake face • Super Positive (25°) top rake • Free cutting and smooth chip flow • Ultra-low cutting forces • Resistant to Built-up-Edge 		
N NON-FERROUS			

CCMT-UM



80° diamond inserts for turning and facing or boring and facing. Positive rake, screw-down inserts.

UM: All-round positive rake geometry. Wide application area. Excellent for boring in most materials.

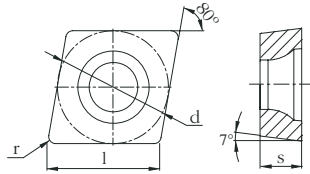
CATALOG NUMBER	ISO DESIGNATION	DIMENSIONS (INCH)				CUTTING DATA (INCH)		STEEL		CAST IRON	
		d	l	s	r	depth of cut, a_p	feed per rev, f_n	CP2125		CP4115	
CCMT 2(1.5)1-UM	CCMT 060204-UM	1/4	.254	3/32	1/64	.020 - .047	.003 - .008	★		★	
CCMT 2(1.5)2-UM	CCMT 060208-UM	1/4	.254	3/32	1/32	.031 - .062	.004 - .010	★		★	
CCMT 3(2.5)0.5-UM	CCMT 09T302-UM	3/8	.381	5/32	.008	.010 - .040	.003 - .006	★		★	
CCMT 3(2.5)1-UM	CCMT 09T304-UM	3/8	.381	5/32	1/64	.020 - .062	.004 - .008	★		★	
CCMT 3(2.5)2-UM	CCMT 09T308-UM	3/8	.381	5/32	1/32	.031 - .080	.005 - .010	★		★	
CCMT 431-UM	CCMT 120404-UM	1/2	.508	3/16	1/64	.020 - .062	.004 - .008	★		★	
CCMT 432-UM	CCMT 120408-UM	1/2	.508	3/16	1/32	.031 - .080	.005 - .010	★		★	
CCMT 433-UM	CCMT 120412-UM	1/2	.508	3/16	3/64	.040 - .100	.006 - .012	★		★	

Ordering Example: 20 pcs CCMT 3(2.5)2-UM CP4115

REFERENCE PAGES

GRADE SELECTION GUIDE	34	TECHNICAL INFORMATION	59	CUTTING SPEED RECOMMENDATIONS	66
-----------------------	-----------	-----------------------	-----------	-------------------------------	-----------

CCGT-UM



80° diamond inserts for turning and facing or boring and facing. Precision tolerance, positive rake screw-down inserts.

UM: All-round positive rake geometry. Wide application area. Excellent for boring in most materials.

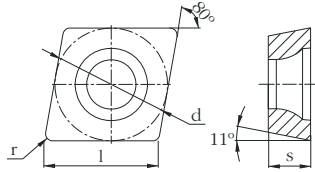
CATALOG NUMBER	ISO DESIGNATION	DIMENSIONS (INCH)				CUTTING DATA (INCH)		P	M	K
		d	l	s	r	depth of cut, a_p	feed per rev, f_n	MULTI-MATERIAL CP3225		
CCGT 2(1.5)0.5-UM	CCGT 060202-UM	1/4	.254	3/32	.008	.010 - .031	.003 - .006	★		
CCGT 2(1.5)1-UM	CCGT 060204-UM	1/4	.254	3/32	1/64	.020 - .047	.003 - .008	★		
CCGT 2(1.5)2-UM	CCGT 060208-UM	1/4	.254	3/32	1/32	.031 - .062	.004 - .010	★		
CCGT 3(2.5)0.5-UM	CCGT 09T302-UM	3/8	.381	5/32	.008	.010 - .040	.003 - .006	★		
CCGT 3(2.5)1-UM	CCGT 09T304-UM	3/8	.381	5/32	1/64	.020 - .062	.004 - .008	★		
CCGT 3(2.5)2-UM	CCGT 09T308-UM	3/8	.381	5/32	1/32	.031 - .080	.005 - .010	★		
CCGT 431-UM	CCGT 120404-UM	1/2	.508	3/16	1/64	.020 - .062	.004 - .008	★		
CCGT 432-UM	CCGT 120408-UM	1/2	.508	3/16	1/32	.031 - .080	.005 - .010	★		

Ordering Example: 20 pcs CCGT 431-UM CP3225

REFERENCE PAGES

GRADE SELECTION GUIDE **34** TECHNICAL INFORMATION **59** CUTTING SPEED RECOMMENDATIONS **66**

CPGT-UM



80° diamond inserts for turning and facing or boring and facing. Precision tolerance, positive rake screw-down inserts. 11° side clearance is ideal for boring.

UM: All-round positive rake geometry. Wide application area. Excellent for boring in most materials.

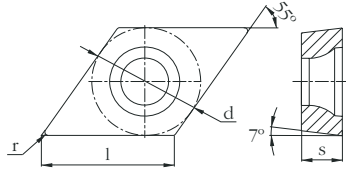
CATALOG NUMBER	ISO DESIGNATION	DIMENSIONS (INCH)				CUTTING DATA (INCH)		P	M	K
		d	l	s	r	depth of cut, a_p	feed per rev, f_n	MULTI-MATERIAL CP3225		
CPGT 2(1.5)1-UM	CPGT 060204-UM	1/4	.254	3/32	1/64	.020 - .047	.003 - .008	★		
CPGT 2(1.5)2-UM	CPGT 060208-UM	1/4	.254	3/32	1/32	.031 - .062	.004 - .010	★		
CPGT 3(2.5)0.5-UM	CPGT 09T302-UM	3/8	.381	5/32	.008	.010 - .040	.003 - .006	★		
CPGT 3(2.5)1-UM	CPGT 09T304-UM	3/8	.381	5/32	1/64	.020 - .062	.004 - .008	★		
CPGT 3(2.5)2-UM	CPGT 09T308-UM	3/8	.381	5/32	1/32	.031 - .080	.005 - .010	★		
CPGT 431-UM	CPGT 120404-UM	1/2	.508	3/16	1/64	.020 - .062	.004 - .008	★		
CPGT 432-UM	CPGT 120408-UM	1/2	.508	3/16	1/32	.031 - .080	.005 - .010	★		

Ordering Example: 20 pcs CPGT 3(2.5)1-UM CP3225

REFERENCE PAGES

GRADE SELECTION GUIDE	34	TECHNICAL INFORMATION	59	CUTTING SPEED RECOMMENDATIONS	66
-----------------------	-----------	-----------------------	-----------	-------------------------------	-----------

DCMT-UF



55° diamond inserts for profile turning and finishing. Positive rake screw-down inserts. Good choice for small diameter and slender workpieces.

UF: Ultra-sharp cutting edge geometry for finishing and semi-finishing operations. Low cutting forces and superior workpiece surface finish.

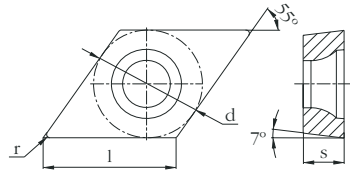
CATALOG NUMBER	ISO DESIGNATION	DIMENSIONS (INCH)				CUTTING DATA (INCH)		STEEL			STAINLESS	
		d	l	s	r	depth of cut, a_p	feed per rev, f_n	CP2105	CP2115	CP2125	CP6215	CP6025
DCMT 2(1.5)0.5-UF	DCMT 070202-UF	1/4	.305	3/32	.008	.004 - .031	.002 - .005		★	★	★	★
DCMT 2(1.5)1-UF	DCMT 070204-UF	1/4	.305	3/32	1/64	.004 - .047	.002 - .006	★	★	★	★	★
DCMT 3(2.5)0.5-UF	DCMT 11T302-UF	3/8	.458	5/32	.008	.004 - .031	.002 - .005		★	★	★	★
DCMT 3(2.5)1-UF	DCMT 11T304-UF	3/8	.458	5/32	1/64	.004 - .062	.002 - .006	★	★	★	★	★
DCMT 3(2.5)2-UF	DCMT 11T308-UF	3/8	.458	5/32	1/32	.004 - .062	.003 - .008	★	★	★	★	★

Ordering Example: 20 pcs DCMT 2(1.5)1-UF CP2115

NOTE: The primary application area for grade CP6215 is in stainless steel workpiece materials. CP6215 is also suitable for use with iron-based, cobalt-based and nickel-based Heat Resistant Super Alloys.

REFERENCE PAGES			
GRADE SELECTION GUIDE	34	TECHNICAL INFORMATION	59
CUTTING SPEED RECOMMENDATIONS		66	

DCMT-UM



55° diamond inserts for profile turning and finishing. Positive rake screw-down inserts. Good choice for small diameter and slender workpieces.

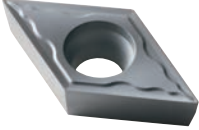
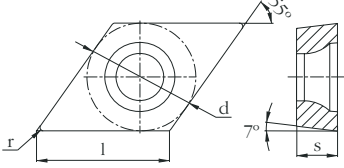
UM: All-round positive rake geometry. Wide application area. Excellent for boring in most materials.

CATALOG NUMBER	ISO DESIGNATION	DIMENSIONS (INCH)				CUTTING DATA (INCH)		STEEL		CAST IRON	
		d	l	s	r	depth of cut, a_p	feed per rev, f_n	CP2125		CP4115	
DCMT 2(1.5)1-UM	DCMT 070204-UM	1/4	.305	3/32	1/64	.020 - .047	.003 - .008	★		★	
DCMT 2(1.5)2-UM	DCMT 070208-UM	1/4	.305	3/32	1/32	.031 - .062	.004 - .010	★		★	
DCMT 3(2.5)0.5-UM	DCMT 11T302-UM	3/8	.458	5/32	.008	.010 - .040	.003 - .006	★		★	
DCMT 3(2.5)1-UM	DCMT 11T304-UM	3/8	.458	5/32	1/64	.020 - .062	.004 - .008	★		★	
DCMT 3(2.5)2-UM	DCMT 11T308-UM	3/8	.458	5/32	1/32	.031 - .080	.005 - .010	★		★	
DCMT 431-UM	DCMT 150404-UM	1/2	.610	3/16	1/64	.020 - .062	.004 - .008	★		★	
DCMT 432-UM	DCMT 150408-UM	1/2	.610	3/16	1/32	.031 - .080	.005 - .010	★		★	
DCMT 433-UM	DCMT 150412-UM	1/2	.610	3/16	3/64	.040 - .100	.006 - .012	★		★	

Ordering Example: 20 pcs DCMT 433-UM CP4115

REFERENCE PAGES			
GRADE SELECTION GUIDE	34	TECHNICAL INFORMATION	59
CUTTING SPEED RECOMMENDATIONS		66	


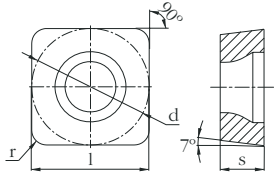
DCGT-UM

		<p>55° diamond inserts for profile turning and finishing. Precision tolerance, positive rake screw-down inserts. Good choice for small diameter and slender workpieces.</p> <p><i>UM: All-round positive rake geometry. Wide application area. Excellent for boring in most materials.</i></p>								
		CATALOG NUMBER	ISO DESIGNATION	DIMENSIONS (INCH)				CUTTING DATA (INCH)		P
d	l			s	r	depth of cut, a_p	feed per rev, f_n	MULTI-MATERIAL CP3225		
DCGT 2(1.5)0.5-UM	DCGT 070202-UM	1/4	.305	3/32	.008	.010 - .031	.003 - .006	★		
DCGT 2(1.5)1-UM	DCGT 070204-UM	1/4	.305	3/32	1/64	.020 - .047	.003 - .008	★		
DCGT 2(1.5)2-UM	DCGT 070208-UM	1/4	.305	3/32	1/32	.031 - .062	.004 - .010	★		
DCGT 3(2.5)0.5-UM	DCGT 11T302-UM	3/8	.458	5/32	.008	.010 - .040	.003 - .006	★		
DCGT 3(2.5)1-UM	DCGT 11T304-UM	3/8	.458	5/32	1/64	.020 - .062	.004 - .008	★		
DCGT 3(2.5)2-UM	DCGT 11T308-UM	3/8	.458	5/32	1/32	.031 - .080	.005 - .010	★		

Ordering Example: 20 pcs DCGT 2(1.5)2-UM CP3225

REFERENCE PAGES			
GRADE SELECTION GUIDE	34	TECHNICAL INFORMATION	59
CUTTING SPEED RECOMMENDATIONS	66		


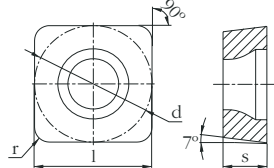
SCMT-UF

		<p>Generally used for semi-finishing operations: turning, facing or boring. Positive rake screw-down style inserts. Good economy with 4 cutting edges.</p> <p><i>UF: Ultra-sharp cutting edge geometry for finishing and semi-finishing operations. Low cutting forces and superior workpiece surface finish.</i></p>										
CATALOG NUMBER	ISO DESIGNATION	DIMENSIONS (INCH)				CUTTING DATA (INCH)		STEEL			STAINLESS	
		d	l	s	r	depth of cut, a_p	feed per rev, f_n	CP2105	CP2115	CP2125	CP6215	CP6025
SCMT 3(2.5)2-UF	SCMT 09T308-UF	3/8	.375	5/32	1/32	.004 - .062	.003 - .008	★	★	★	★	★

Ordering Example: 20 pcs SCMT 3(2.5)2-UF CP6215

NOTE: The primary application area for grade CP6215 is in stainless steel workpiece materials. CP6215 is also suitable for use with iron-based, cobalt-based and nickel-based Heat Resistant Super Alloys.

SCMT-UM


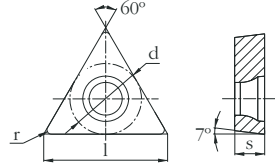
		<p>Mainly for roughing operations: turning, facing or boring. Positive rake screw-down style inserts. Good economy with 4 cutting edges.</p> <p><i>UM: All-round positive rake geometry. Wide application area. Excellent for boring in most materials.</i></p>									
CATALOG NUMBER	ISO DESIGNATION	DIMENSIONS (INCH)				CUTTING DATA (INCH)		STEEL		CAST IRON	
		d	l	s	r	depth of cut, a_p	feed per rev, f_n	CP2125		CP4115	
SCMT 3(2.5)1-UM	SCMT 09T304-UM	3/8	.375	5/32	1/64	.020 - .062	.004 - .008	★		★	
SCMT 3(2.5)2-UM	SCMT 09T308-UM	3/8	.375	5/32	1/32	.031 - .080	.005 - .010	★		★	
SCMT 431-UM	SCMT 120404-UM	1/2	.500	3/16	1/64	.020 - .062	.004 - .008	★		★	
SCMT 432-UM	SCMT 120408-UM	1/2	.500	3/16	1/32	.031 - .080	.006 - .011	★		★	

Ordering Example: 20 pcs SCMT 431-UM CP2125

REFERENCE PAGES

GRADE SELECTION GUIDE **34** TECHNICAL INFORMATION **59** CUTTING SPEED RECOMMENDATIONS **66**


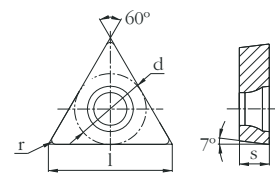
TCMT-UF

		<p>Popular for small diameter boring. Good economy and stable seating of insert. Positive rake screw down inserts.</p> <p><i>UF: Ultra-sharp cutting edge geometry for finishing and semi-finishing operations. Low cutting forces and superior workpiece surface finish.</i></p>										
CATALOG NUMBER	ISO DESIGNATION	DIMENSIONS (INCH)				CUTTING DATA (INCH)		STEEL			STAINLESS	
		d	l	s	r	depth of cut, a_p	feed per rev, f_n	CP2105	CP2115	CP2125	CP6215	CP6025
TCMT 2(1.5)0.5-UF	TCMT 110202-UF	1/4	.433	3/32	.008	.004 - .031	.002 - .005		★	★	★	★
TCMT 2(1.5)1-UF	TCMT 110204-UF	1/4	.433	3/32	1/64	.004 - .047	.002 - .006	★	★	★	★	★

Ordering Example: 20 pcs TCMT 2(1.5)1-UF CP2125

NOTE: The primary application area for grade CP6215 is in stainless steel workpiece materials. CP6215 is also suitable for use with iron-based, cobalt-based and nickel-based Heat Resistant Super Alloys.

TCMT-UM


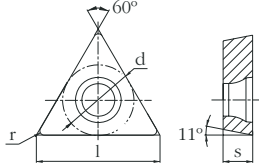
		<p>Popular for small diameter boring. Good economy and stable seating of insert. Positive rake screw-down inserts.</p> <p><i>UM: All-round positive rake geometry. Wide application area. Excellent for boring in most materials.</i></p>									
CATALOG NUMBER	ISO DESIGNATION	DIMENSIONS (INCH)				CUTTING DATA (INCH)		STEEL		CAST IRON	
		d	l	s	r	depth of cut, a_p	feed per rev, f_n	CP2125		CP4115	
TCMT 2(1.5)1-UM	TCMT 110204-UM	1/4	.433	3/32	1/64	.020 - .047	.003 - .008	★		★	
TCMT 2(1.5)2-UM	TCMT 110208-UM	1/4	.433	3/32	1/32	.031 - .062	.004 - .010	★		★	
TCMT 3(2.5)1-UM	TCMT 16T304-UM	3/8	.650	5/32	1/64	.020 - .062	.004 - .008	★		★	
TCMT 3(2.5)2-UM	TCMT 16T308-UM	3/8	.650	5/32	1/32	.031 - .080	.005 - .010	★		★	
TCMT 432-UM	TCMT 220408-UM	1/2	.866	3/16	1/32	.031 - .094	.006 - .012	★		★	

Ordering Example: 20 pcs TCMT 3(2.5)2-UM CP4115

REFERENCE PAGES

GRADE SELECTION GUIDE	34	TECHNICAL INFORMATION	59	CUTTING SPEED RECOMMENDATIONS	66
-----------------------	-----------	-----------------------	-----------	-------------------------------	-----------

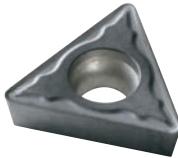
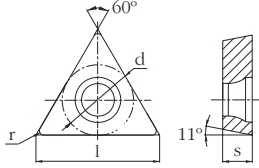
TPMT-UF

		<p>Popular for small diameter boring. Good economy and stable seating of insert. Positive rake screw-down inserts. 11° side clearance is ideal for boring.</p> <p><i>UF: Ultra-sharp cutting edge geometry for finishing and semi-finishing operations. Low cutting forces and superior workpiece surface finish.</i></p>									
CATALOG NUMBER	ISO DESIGNATION	DIMENSIONS (INCH)				CUTTING DATA (INCH)		STEEL		STAINLESS	
		d	l	s	r	depth of cut, a_p	feed per rev, f_n	CP2115	CP2125	CP6215	CP6025
TPMT 2(1.5)0.5-UF	TPMT 110202-UF	1/4	.433	3/32	.008	.004 - .031	.002 - .005	★	★	★	★
TPMT 2(1.5)1-UF	TPMT 110204-UF	1/4	.433	3/32	1/64	.004 - .047	.002 - .006	★	★	★	★

Ordering Example: 20 pcs TPMT 2(1.5)1-UF CP6215

NOTE: The primary application area for grade CP6215 is in stainless steel workpiece materials. CP6215 is also suitable for use with iron-based, cobalt-based and nickel-based Heat Resistant Super Alloys.

TPGT-UM


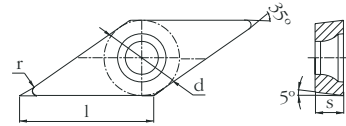
		<p>Popular for small diameter boring. Good economy and stable seating of insert. Precision tolerance, positive rake screw-down inserts. 11° side clearance is ideal for boring.</p> <p><i>UM: All-round positive rake geometry. Wide application area. Excellent for boring in most materials.</i></p>								
CATALOG NUMBER	ISO DESIGNATION	DIMENSIONS (INCH)				CUTTING DATA (INCH)		P	M	K
		d	l	s	r	depth of cut, a_p	feed per rev, f_n	MULTI-MATERIAL CP3225		
TPGT 2(1.5)1-UM	TPGT 110204-UM	1/4	.433	3/32	1/64	.020 - .047	.003 - .008	★		
TPGT 2(1.5)2-UM	TPGT 110208-UM	1/4	.433	3/32	1/32	.031 - .062	.004 - .010	★		
TPGT 3(2.5)1-UM	TPGT 16T304-UM	3/8	.650	5/32	1/64	.020 - .062	.004 - .008	★		
TPGT 3(2.5)2-UM	TPGT 16T308-UM	3/8	.650	5/32	1/32	.031 - .080	.005 - .010	★		

Ordering Example: 20 pcs TPGT 3(2.5)1-UM CP3225

REFERENCE PAGES

GRADE SELECTION GUIDE **34** TECHNICAL INFORMATION **59** CUTTING SPEED RECOMMENDATIONS **66**


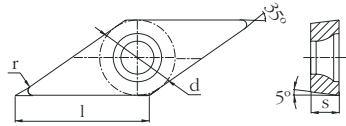
VBMT-UF

		<p>First choice shape for 35° diamond profile turning and boring. Positive rake screw-down inserts with 5° side clearance.</p> <p><i>UF: Ultra-sharp cutting edge geometry for finishing and semi-finishing operations. Low cutting forces and superior workpiece surface finish.</i></p>										
CATALOG NUMBER	ISO DESIGNATION	DIMENSIONS (INCH)				CUTTING DATA (INCH)		STEEL			STAINLESS	
		d	l	s	r	depth of cut, a_p	feed per rev, f_n	CP2105	CP2115	CP2125	CP6215	CP6025
VBMT 221-UF	VBMT 110304-UF	1/4	.436	1/8	1/64	.004 - .047	.002 - .006		★	★	★	★
VBMT 331-UF	VBMT 160404-UF	3/8	.654	3/16	1/64	.004 - .062	.002 - .006	★	★	★	★	★
VBMT 332-UF	VBMT 160408-UF	3/8	.654	3/16	1/32	.004 - .062	.003 - .008	★	★	★	★	★

Ordering Example: 20 pcs VBMT 332-UF CP6025

NOTE: The primary application area for grade CP6215 is in stainless steel workpiece materials. CP6215 is also suitable for use with iron-based, cobalt-based and nickel-based Heat Resistant Super Alloys.


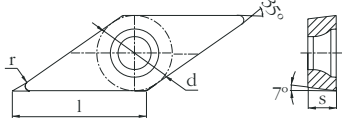
VBMT-UM

		<p>First choice for 35° diamond external profile turning. 5° clearance angle provides more secure insert clamping than VCMT style.</p> <p><i>UM: All-round positive rake geometry with wide application area.</i></p>									
CATALOG NUMBER	ISO DESIGNATION	DIMENSIONS (INCH)				CUTTING DATA (INCH)		STEEL		CAST IRON	
		d	l	s	r	depth of cut, a_p	feed per rev, f_n	CP2125		CP4115	
VBMT 331-UM	VBMT 160404-UM	3/8	.654	3/16	1/64	.020 - .062	.004 - .008	★		★	
VBMT 332-UM	VBMT 160408-UM	3/8	.654	3/16	1/32	.031 - .080	.005 - .010	★		★	


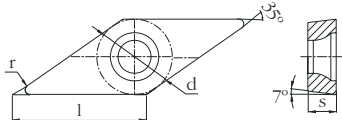
Ordering Example: 20 pcs VBMT 331-UM CP2125

REFERENCE PAGES

GRADE SELECTION GUIDE	34	TECHNICAL INFORMATION	59	CUTTING SPEED RECOMMENDATIONS	66
-----------------------	-----------	-----------------------	-----------	-------------------------------	-----------

VCMT-UM											
						<p>First choice shape for 35° diamond profile turning and boring. Positive cutting action provides for a more secure cutting edge than VNMG style.</p> <p><i>UM: All-round positive rake geometry. Wide application area. Excellent for boring in most materials.</i></p>					
CATALOG NUMBER	ISO DESIGNATION	DIMENSIONS (INCH)				CUTTING DATA (INCH)		STEEL		CAST IRON	
		d	l	s	r	depth of cut, a_p	feed per rev, f_n	CP2125		CP4115	
VCMT 221-UM	VCMT 110304-UM	1/4	.436	1/8	1/64	.020 - .047	.003 - .008	★		★	
VCMT 331-UM	VCMT 160404-UM	3/8	.654	3/16	1/64	.020 - .062	.004 - .008	★		★	
VCMT 332-UM	VCMT 160408-UM	3/8	.654	3/16	1/32	.031 - .080	.005 - .010	★		★	

Ordering Example: 20 pcs VCMT 332-UM CP2125


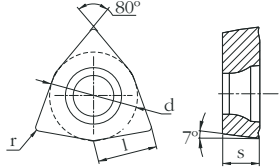
VCGT-UM											
						<p>First choice shape for 35° diamond profile turning and boring. Precision tolerance. Positive cutting action provides for a more secure cutting edge than VNMG style.</p> <p><i>UM: All-round positive rake geometry. Wide application area. Excellent for boring in most materials.</i></p>					
CATALOG NUMBER	ISO DESIGNATION	DIMENSIONS (INCH)				CUTTING DATA (INCH)		P	M	K	
		d	l	s	r	depth of cut, a_p	feed per rev, f_n	MULTI-MATERIAL CP3225			
VCGT 221-UM	VCGT 110304-UM	1/4	.436	1/8	1/64	.020 - .047	.003 - .008		★		
VCGT 331-UM	VCGT 160404-UM	3/8	.654	3/16	1/64	.020 - .062	.004 - .008		★		
VCGT 332-UM	VCGT 160408-UM	3/8	.654	3/16	1/32	.031 - .080	.005 - .010		★		

Ordering Example: 20 pcs VCGT 221-UM CP3225

NOTE: VCMT and VCGT inserts fit into and can be used with toolholders and boring bars made for VBMT-style inserts.

REFERENCE PAGES			
GRADE SELECTION GUIDE	34	TECHNICAL INFORMATION	59
CUTTING SPEED RECOMMENDATIONS	66		

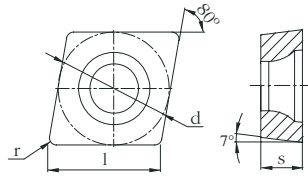
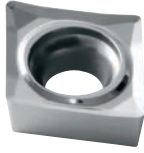
WCMT-UM

		<p>80° corner Trigon inserts for turning, facing and boring. Positive rake screw-down inserts. Extra economy due to 3 cutting edges.</p> <p><i>UM: All-round positive rake geometry. Wide application area. Excellent for boring in most materials.</i></p>									
CATALOG NUMBER	ISO DESIGNATION	DIMENSIONS (INCH)				CUTTING DATA (INCH)		STEEL		CAST IRON	
		d	l	s	r	depth of cut, a_p	feed per rev, f_n	CP2125		CP4115	
WCMT 3(2.5)1-UM	WCMT 06T304-UM	3/8	.257	5/32	1/64	.020 - .062	.003 - .008	★		★	
WCMT 3(2.5)2-UM	WCMT 06T308-UM	3/8	.257	5/32	1/32	.031 - .080	.005 - .010	★		★	

Ordering Example: 20 pcs WCMT 3(2.5)2-UM CP4115

REFERENCE PAGES			
GRADE SELECTION GUIDE	34	TECHNICAL INFORMATION	59
CUTTING SPEED RECOMMENDATIONS		66	

CCGX-NX



Precision Ground, High Positive, polished 80° diamond inserts for turning, boring and facing of Aluminum, non-ferrous materials and non-metallics.

NX: Extremely high 25° positive rake geometry. Super sharp edge line with polished face for smooth chip flow.

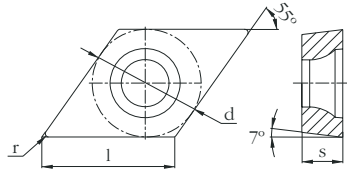
CATALOG NUMBER	ISO DESIGNATION	DIMENSIONS (INCH)				CUTTING DATA (INCH)		NON-FERROUS			
		d	l	s	r	depth of cut, a_p	feed per rev, f_n	CP5225	CP23		
CCGX 2(1.5)0.5-NX	CCGX 060202-NX	1/4	.254	3/32	.008	.010 - .047	.002 - .008	★	★		
CCGX 2(1.5)1-NX	CCGX 060204-NX	1/4	.254	3/32	1/64	.016 - .062	.004 - .010	★	★		
CCGX 2(1.5)2-NX	CCGX 060208-NX	1/4	.254	3/32	1/32	.020 - .062	.006 - .020	★	★		
CCGX 3(2.5)0.5-NX	CCGX 09T302-NX	3/8	.381	5/32	.008	.010 - .094	.002 - .008	★	★		
CCGX 3(2.5)1-NX	CCGX 09T304-NX	3/8	.381	5/32	1/64	.016 - .125	.004 - .010	★	★		
CCGX 3(2.5)2-NX	CCGX 09T308-NX	3/8	.381	5/32	1/32	.020 - .125	.006 - .020	★	★		
CCGX 430.5-NX	CCGX 120402-NX	1/2	.508	3/16	.008	.010 - .125	.002 - .008	★	★		
CCGX 431-NX	CCGX 120404-NX	1/2	.508	3/16	1/64	.016 - .187	.004 - .010	★	★		
CCGX 432-NX	CCGX 120408-NX	1/2	.508	3/16	1/32	.020 - .187	.006 - .020	★	★		

Ordering Example: 20 pcs CCGX 431-NX CP5225

REFERENCE PAGES

GRADE SELECTION GUIDE **34** TECHNICAL INFORMATION **59** CUTTING SPEED RECOMMENDATIONS **66**

DCGX-NX



Precision Ground, High Positive, polished 55° diamond inserts for profiling of Aluminum, non-ferrous materials and non-metallics.

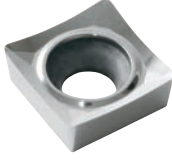
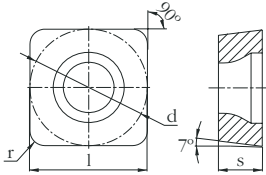
NX: Extremely high 25° positive rake geometry. Super sharp edgeline with polished face for smooth chip flow.

CATALOG NUMBER	ISO DESIGNATION	DIMENSIONS (INCH)				CUTTING DATA (INCH)		NON-FERROUS			
		d	l	s	r	depth of cut, a_p	feed per rev, f_n	CP5225	CP23		
DCGX 2(1.5)0.5-NX	DCGX 070202-NX	1/4	.305	3/32	.008	.010 - .062	.002 - .008	★	★		
DCGX 2(1.5)1-NX	DCGX 070204-NX	1/4	.305	3/32	1/64	.016 - .094	.004 - .010	★	★		
DCGX 2(1.5)2-NX	DCGX 070208-NX	1/4	.305	3/32	1/32	.020 - .094	.006 - .020	★	★		
DCGX 3(2.5)0.5-NX	DCGX 11T302-NX	3/8	.458	5/32	.008	.010 - .094	.002 - .008	★	★		
DCGX 3(2.5)1-NX	DCGX 11T304-NX	3/8	.458	5/32	1/64	.016 - .125	.004 - .010	★	★		
DCGX 3(2.5)2-NX	DCGX 11T308-NX	3/8	.458	5/32	1/32	.020 - .125	.006 - .020	★	★		

Ordering Example: 20 pcs DCGX 2(1.5)2-NX CP5225

REFERENCE PAGES			
GRADE SELECTION GUIDE	34	TECHNICAL INFORMATION	59
CUTTING SPEED RECOMMENDATIONS	66		


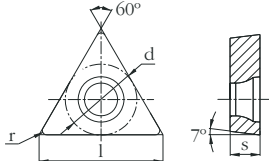
SCGX-NX

						<p>Precision Ground, High Positive, polished square inserts for turning, facing and boring of Aluminum, non-ferrous materials and non-metallics.</p> <p><i>NX: Extremely high 25° positive rake geometry. Super sharp edgeline with polished face for smooth chip flow.</i></p>					
CATALOG NUMBER	ISO DESIGNATION	DIMENSIONS (INCH)				CUTTING DATA (INCH)		NON-FERROUS			
		d	l	s	r	depth of cut, a_p	feed per rev, f_n	CP5225	CP23		
SCGX 3(2.5)1-NX	SCGX 09T304-NX	3/8	.375	5/32	1/64	.016 - .125	.004 - .010	★	★		
SCGX 3(2.5)2-NX	SCGX 09T308-NX	3/8	.375	5/32	1/32	.020 - .125	.006 - .020	★	★		
SCGX 431-NX	SCGX 120404-NX	1/2	.500	3/16	1/64	.016 - .156	.004 - .010	★	★		
SCGX 432-NX	SCGX 120408-NX	1/2	.500	3/16	1/32	.020 - .156	.006 - .020	★	★		

Ordering Example: 20 pcs SCGX 432-NX CP23

REFERENCE PAGES			
GRADE SELECTION GUIDE	34	TECHNICAL INFORMATION	59
CUTTING SPEED RECOMMENDATIONS	66		

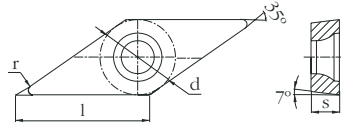
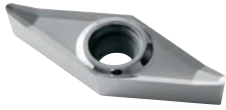
TCGX-NX

		<p>Precision Ground, High Positive, polished triangular inserts for turning and boring of Aluminum, non-ferrous materials and non-metallics.</p> <p><i>NX: Extremely high 25° positive rake geometry. Super sharp edgeline with polished face for smooth chip flow.</i></p>									
CATALOG NUMBER	ISO DESIGNATION	DIMENSIONS (INCH)				CUTTING DATA (INCH)		NON-FERROUS			
		d	l	s	r	depth of cut, a_p	feed per rev, f_n	CP5225	CP23		
TCGX 1.8(1.5)1-NX	TCGX 090204-NX	7/32	.379	3/32	1/64	.016 - .094	.004 - .008	★	★		
TCGX 2(1.5)0.5-NX	TCGX 110202-NX	1/4	.433	3/32	.008	.010 - .094	.002 - .008	★	★		
TCGX 2(1.5)1-NX	TCGX 110204-NX	1/4	.433	3/32	1/64	.016 - .125	.004 - .010	★	★		
TCGX 2(1.5)2-NX	TCGX 110208-NX	1/4	.433	3/32	1/32	.020 - .125	.006 - .020	★	★		
TCGX 3(2.5)0.5-NX	TCGX 16T302-NX	3/8	.650	5/32	.008	.010 - .125	.002 - .008	★	★		
TCGX 3(2.5)1-NX	TCGX 16T304-NX	3/8	.650	5/32	1/64	.016 - .156	.004 - .010	★	★		
TCGX 3(2.5)2-NX	TCGX 16T308-NX	3/8	.650	5/32	1/32	.020 - .156	.006 - .020	★	★		

Ordering Example: 20 pcs TCGX 3(2.5)0.5-NX CP5225

REFERENCE PAGES			
GRADE SELECTION GUIDE	34	TECHNICAL INFORMATION	59
		CUTTING SPEED RECOMMENDATIONS	66

VCGX-NX



Precision Ground, High Positive, polished 35° diamond inserts for intricate profiling of Aluminum, non-ferrous materials and non-metallics.

NX: Extremely high 25° positive rake geometry. Super sharp edgeline with polished face for smooth chip flow.

CATALOG NUMBER	ISO DESIGNATION	DIMENSIONS (INCH)				CUTTING DATA (INCH)		NON-FERROUS			
		d	l	s	r	depth of cut, a_p	feed per rev, f_n	CP5225	CP23		
VCGX 220.5-NX	VCGX 110302-NX	1/4	.436	1/8	.008	.010 - .062	.002 - .008	★	★		
VCGX 221-NX	VCGX 110304-NX	1/4	.436	1/8	1/64	.016 - .087	.004 - .010	★	★		
VCGX 222-NX	VCGX 110308-NX	1/4	.436	1/8	1/32	.020 - .087	.006 - .020	★	★		
VCGX 330.5-NX	VCGX 160402-NX	3/8	.654	3/16	.008	.010 - .125	.002 - .008	★	★		
VCGX 331-NX	VCGX 160404-NX	3/8	.654	3/16	1/64	.016 - .156	.004 - .010	★	★		
VCGX 332-NX	VCGX 160408-NX	3/8	.654	3/16	1/32	.020 - .156	.006 - .020	★	★		
VCGX 333-NX	VCGX 160412-NX	3/8	.654	3/16	3/64	.020 - .156	.006 - .031	★	★		
VCGX 4(3.5)3-NX	VCGX 220512-NX	1/2	.872	7/32	3/64	.020 - .187	.006 - .031	★	★		
VCGX 4(3.5)4-NX	VCGX 220516-NX	1/2	.872	7/32	1/16	.020 - .187	.006 - .031	★	★		
VCGX 4(3.5)7.5-NX	VCGX 220530-NX	1/2	.872	7/32	.118	.020 - .187	.010 - .040	★	★		

Ordering Example: 20 pcs VCGX 331-NX CP5225

REFERENCE PAGES

GRADE SELECTION GUIDE **34** TECHNICAL INFORMATION **59** CUTTING SPEED RECOMMENDATIONS **66**

TECHNICAL INFORMATION







TURNING


Code Keys	60
Formulas & Nomenclature	64
Surface Roughness	65
Cutting Speed Recommendations	66
Grades for Turning	68
Troubleshooting	70

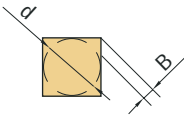
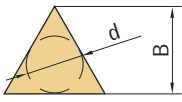
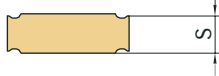


EXAMPLE 1

C	N	M	G	4	3	2		-	PM
1	2	3	4	5	6	7	8		9

1		
Insert Shape		
C	80° Diamond	
D	55° Diamond	
S	Square	
T	Triangle	
V	35° Diamond	
W	80° Corner Trigon	



2	
Clearance Angle	
	
B	5° Positive Rake
C	7° Positive Rake
N	0° Negative Rake
P	11° Positive Rake


3			
Tolerances, inch			
			
Tolerance Class	tolerance on 'd'	tolerance on 'B'	tolerance on 's'
G	± .001	± .001	± .005
M	see table below	see table below	± .005

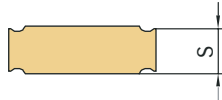
Tolerance Class M, inch				
d	tolerance on 'd'	tolerance on 'B'		
	All Shapes	C, S, T, W Shapes	D Shape	V Shape
7/32	± .002	± .003	± .004	N/A
1/4	± .002	± .003	± .004	± .007
3/8	± .002	± .003	± .004	± .007
1/2	± .003	± .005	± .006	± .010
5/8	± .004	± .006	± .007	N/A
3/4	± .004	± .006	± .007	N/A


EXAMPLE 2

V	C	G	T	3	3	1		-	UM
1	2	3	4	5	6	7	8		9

4		
Insert Type		
G	With hole, Pin / Top Clamp Double-sided	
T	With hole, Screw-down Clamping Single-sided	
X	Manufacturer-Specific Design	—

5	
Insert Size	
Inscribed Circle, d, inch	
	
Symbol indicates number of 1/8ths of an inch	
Symbol	d
1.8	7/32
2	1/4
3	3/8
4	1/2
5	5/8
6	3/4

6	
Thickness, inch	
	
Symbol indicates number of 1/16ths of an inch	
Symbol	s
1.5	3/32
2	1/8
2.5	5/32
3	3/16
4	1/4







7	
Nose Radius, inch	
	
Symbol indicates number of 1/64ths of an inch	
Symbol	r
0.5	.008
1	1/64
2	1/32
3	3/64
4	1/16


8	
Hand of Insert (optional)	
R	Right-hand
L	Left-hand

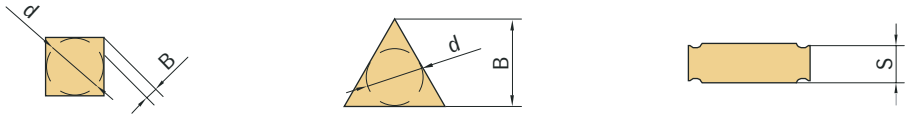
9	
Chipbreaker Designation	
Indicates the machining properties or chipbreaker features	
Manufacturer-specific	

EXAMPLE 1

C	N	M	G	12	04	08		-	KF
1	2	3	4	5	6	7	8		9

1		
Insert Shape		
C	80° Diamond	
D	55° Diamond	
S	Square	
T	Triangle	
V	35° Diamond	
W	80° Corner Trigon	




2	
Clearance Angle	
	
B	5° Positive Rake
C	7° Positive Rake
N	0° Negative Rake
P	11° Positive Rake







3			
Tolerances, mm			
			
Tolerance Class	tolerance on 'd'	tolerance on 'B'	tolerance on 's'
G	± 0.025	± 0.025	± 0.13
M	see table below	see table below	± 0.13

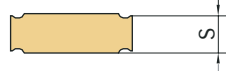
Tolerance Class M, mm				
d	tolerance on 'd'		tolerance on 'B'	
	All Shapes	C, S, T, W Shapes	D Shape	V Shape
5.556	± 0.05	± 0.08	± 0.10	N/A
6.350	± 0.05	± 0.08	± 0.10	± 0.18
9.525	± 0.05	± 0.08	± 0.10	± 0.18
12.700	± 0.08	± 0.13	± 0.15	± 0.25
15.875	± 0.10	± 0.15	± 0.18	N/A
19.050	± 0.10	± 0.15	± 0.18	N/A


EXAMPLE 2

V	C	G	T	16	04	04		-	UF
1	2	3	4	5	6	7	8		9

4		
Insert Type		
G	With hole, Pin / Top Clamp Double-sided	
T	With hole, Screw-down Clamping Single-sided	
X	Manufacturer-Specific Design	

5						
Insert Size						
Cutting Edge Length, mm						
Symbol						
06	6.5					6.5
07		7.8				
08						8.7
09	9.7		9.5	9.6		
11		11.6		11.0	11.1	
12	12.9		12.7			
15		15.5	15.9			
16	16.1			16.5	16.6	
19	19.4		19.1			
22				22.0	22.2	
27				27.5		

6	
Thickness, mm	
	
Symbol	s
02	2.38
03	3.18
T3	3.97
04	4.76
05	5.56
06	6.35

7	
Nose Radius, mm	
	
Symbol	r
02	0.2
04	0.4
08	0.8
12	1.2
16	1.6
30	3.0

8	
Hand of Insert (optional)	
R	Right-hand
L	Left-hand

9	
Chipbreaker Designation	
Indicates the machining properties or chipbreaker features	
Manufacturer-specific	

Spindle speed, n (rpm)

$$n = \frac{3.82 \times v_c}{D}$$

Cutting speed, v_c (ft / min)

$$v_c = .262 \times D \times n$$

Feed rate, v_f (in / min)

$$v_f = n \times f_n$$

Machining time, t (min)

$$t = \frac{l_m}{v_f}$$

Metal removal rate, Q (in³ / min)

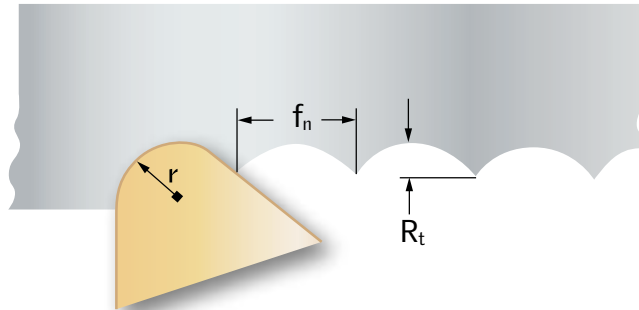
$$Q = v_c \times a_p \times f_n \times 12$$

a_p	depth of cut	inches
D	workpiece diameter	inches
f_n	feed per revolution	inches
l_m	machined length	inches
n	spindle speed	rev/min
Q	metal removal rate	inches ³ /min
t	machining time	minutes
v_c	cutting speed	feet/min
v_f	feed rate	inches/min

The machined surface and tolerances achieved on components are directly affected by both the insert nose radius and the feed rate.

From a strictly theoretical perspective, surface roughness can be calculated from the following formula:

$$R_t = \frac{f_n^2 \times 10^6}{8 \times r}$$



Where R_t = Theoretical Profile Depth, μ inches
 f_n = feed / rev, inches
 r = insert nose radius, inches

The following table presents feed values for common insert nose radius sizes and surface roughness requirements:

R_t , μ inch	feed f_n , inches / rev				
	$r = 1/64''$	$r = 1/32''$	$r = 3/64''$	$r = 1/16''$	$r = 3/32''$
16	.0015	.002	.0025	.003	.0035
32	.002	.003	.0035	.004	.005
63	.003	.004	.005	.0055	.007
125	.004	.0055	.007	.008	.010
250	.0055	.008	.010	.011	.014
500	.008	.011	.014	.016	.019

The maximum feed per rev can be determined from the table by selecting the nose radius and specified surface roughness requirement.

For example, **Surface roughness requirement $R_t = 63 \mu$ inches**

Insert nose radius $r = 1/32''$

Theoretical starting point for feed $f_n \Rightarrow .004$ inches / rev

When selecting the feed for finishing to a specified level of surface roughness, the feed values provided in the table should not be exceeded. In general the feed in a finishing operation should be kept low in order to produce an acceptable component finish.

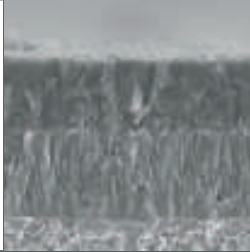
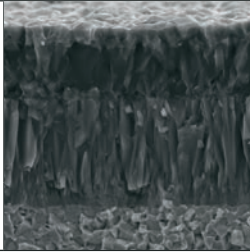
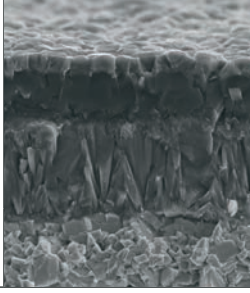
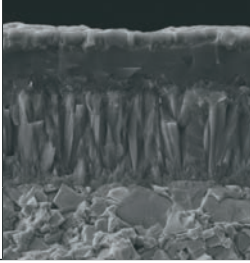
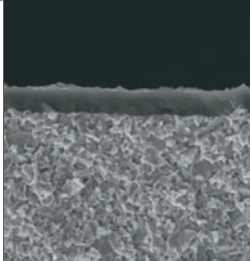
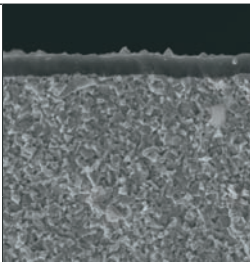
ISO	Material Group	Workpiece Material	Tensile Strength MPa	Recommended Starting Speeds v_c (ft/min)														
				CP2105			CP2115			CP2125			CP2135			CP3225		
				f_n (inch/rev)			f_n (inch/rev)			f_n (inch/rev)			f_n (inch/rev)			f_n (inch/rev)		
				.004	.008	.012	.004	.008	.012	.004	.008	.016	.004	.016	.024	.004	.008	.012
P Steel	P0	Low-Carbon Steels, Long Chipping (C < .25%) Ex. A36, 1008, 1010, 1018, 1108, 1117 Brinell Hardness HB <125	<530	1760	1550	1370	1640	1445	1280	1400	1245	855	1215	790	655	655	525	400
	P1	Low-Carbon Steels, Short Chipping, Free Machining (C < .25%) Ex. 10L18, 1200 Series, 1213, 12L14 Brinell Hardness HB <125	<530	1500	1330	1120	1400	1245	1050	1180	1015	655	1015	590	525	600	475	360
	P2	Medium- and High-Carbon Steels (C > .25%) Ex. 1035, 1045, 10L45, 1080, 1137, 1144, 1525, 1572 Rockwell Hardness HRC <25	>530	1120	1050	950	1050	985	885	920	820	590	855	540	460	525	445	345
	P3	Alloy Steels and Tool Steels (C > .25%) Ex. P20, 1300, 2000, 3000, 4000, 5000, 8000, SAE A, D, H, O, S, M, T Rockwell Hardness HRC <35	600-850	1020	850	700	950	790	655	790	720	490	625	445	330	400	300	245
	P4	High-Strength Alloy Steels and Tool Steels (C > .25%) Ex. P20, 1300, 2000, 3000, 4000, 5000, 8000, SAE A, D, H, O, S, M, T Rockwell Hardness HRC 35 - 48	850-1400	850	700	560	790	655	525	590	525	330	460	300	230	310	245	180
	P5	Ferritic, Martensitic and PH Stainless Steels Ex. 13-8 PH, 15-5 PH, 17-4 PH, 400 and 500 Series Rockwell Hardness HRC <35	600-900	1050	880	700	985	820	655	855	720	560	625	460	330	420	320	260
	P6	High-Strength Ferritic, Martensitic and PH Stainless Steels Ex. 13-8 PH, 15-5 PH, 17-4 PH, 400 and 500 Series Rockwell Hardness HRC 35 - 48	900-1350	630	530	350	590	490	330	425	360	300	360	260	230	230	190	135

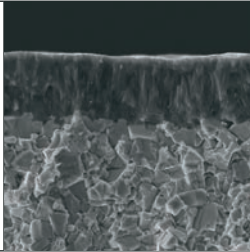
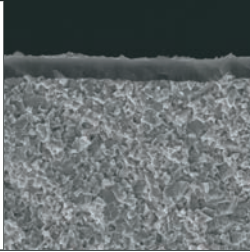
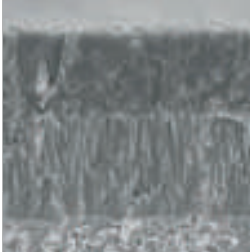
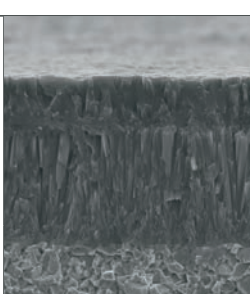
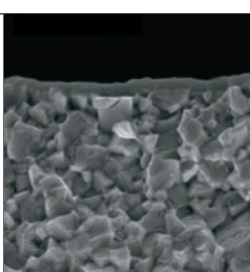
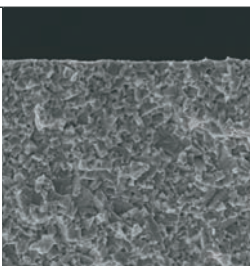
ISO	Material Group	Workpiece Material	Brinell Hardness HB	Rockwell Hardness HRC	Tensile Strength MPa	Recommended Starting Speeds v_c (ft/min)											
						CP6215			CP6025			CP6225			CP3225		
						f_n (inch/rev)			f_n (inch/rev)			f_n (inch/rev)			f_n (inch/rev)		
						.004	.008	.012	.004	.008	.012	.004	.008	.012	.004	.008	.012
M Stainless Steel	M1	Austenitic Stainless Steels Ex. 200 Series, 301, 302, 304, 304L, 309	130-200		<600	820	670	490	850	750	650	620	470	290	520	380	240
	M2	High-Strength Austenitic Stainless and Cast Stainless Steels Ex. 310, 316, 316L, 321, 347, 384	150-230	<25	600-800	740	600	440	760	670	580	560	420	260	470	340	220
	M3	Duplex Stainless Steels Ex. 323, 329, F55, 2205	135-275	<30	<800	655	535	390	670	600	520	495	375	230	420	310	200

ISO	Material Group	Workpiece Material	Brinell Hardness HB	Rockwell Hardness HRC	Tensile Strength MPa	Recommended Starting Speeds v_c (ft/min)											
						CP4115			CP4125			CP3225					
						f_n (inch/rev)			f_n (inch/rev)			f_n (inch/rev)					
						.004	.008	.016	.004	.012	.020	.004	.008	.012			
K Cast Iron	K1	Gray Cast Iron Ex. Class 20, 25, 30, 35, 40, 45, 50, 55, 60, G1800, G3000, G3500, G4000	120-290	<32	125-500	1800	1180	885	1540	885	655	625	425	360			
	K2	Ductile Cast Irons (Nodular Irons) and Compacted Graphite Irons (CGI) Ex. 60-40-18, 65-45-12, 80-55-06, SAE J434: D4018, D4512, D5506	130-260	<28	<600	1215	885	690	885	655	490	525	380	330			
	K3	High-Strength Ductile Irons and Austempered Ductile Irons (ADI) Ex. ASTM A536: 100-70-03, 120-90-02, SAE J434: D7003	180-350	<43	>600	885	690	560	655	490	400	425	360	300			

ISO	Material Group	Workpiece Material	Brinell Hardness HB	Rockwell Hardness HRC	Tensile Strength MPa	Recommended Starting Speeds v_c (ft/min)											
						CP5225			CP23								
						f_n (inch/rev)			f_n (inch/rev)								
						.004	.008	.016	.004	.008	.016						
N Non-Ferrous	N1	Wrought Aluminum Ex. 1000, 2017, 2025, 5050, 7050	60-90		<520	6900	5400	3600	6900	5400	3600						
	N2	Low-Silicon Aluminum Alloys (Si < 12.2%) Ex. 2024, 6061, 7075	70-100		<350	1640	985	655	1640	985	655						
	N3	High-Silicon Aluminum Alloys (Si > 12.2%)	60-120		200-320	985	655	400	985	655	400						
	N4	Copper and Copper Alloys Ex. C81500	60-200		200-650	1280	1050	885	1280	1050	885						

ISO	Material Group	Workpiece Material	Brinell Hardness HB	Rockwell Hardness HRC	Tensile Strength MPa	Recommended Starting Speeds v_c (ft/min)											
						CP6215											
						f_n (inch/rev)											
						.004	.008	.012									
S High Temp Alloys	S1	Iron-Based Heat-Resistant Alloys Ex. A286, A608, INCOLOY 800 Series, N-155, Haynes 556, Discaloy	160-260	25-48	500-1200	330	280	230									
	S2	Cobalt-Based Heat-Resistant Alloys Ex. Haynes 25 (L605), Haynes 188, Stellite, MAR-M302, MAR-M509	250-450	25-48	1000-1450	260	215	165									
	S3	Nickel-Based Heat-Resistant Alloys Ex. Astroloy, Hastelloy X, INCONEL 600 and 700 Series, Waspalloy	160-450	<48	600-1700	200	150	115									
	S4	Titanium and Titanium Alloys Ex. Commercially Pure Ti, Ti-5Al-2.5Sn, Ti-6Al-4V, Ti-3Al-8V-6Cr-4Zr-4Mo	300-400	33-48	900-1600	-	-	-									

Grade / Application Area	Description	Microstructure
<p>CP2105</p> <p>Super-Finishing to Finishing</p> <p>P STEEL</p>	<p>"First Choice" for Super-Finishing Applications in Steel (ISO P Materials). Outstanding combination of deformation-resistance and insert edge strength. Gradient-sintered high-performance cemented carbide substrate with unsurpassed wear resistance. Double-Coated MT-CVD Grade with TiCN and Al₂O₃ layers. Exceptional coating adhesion properties. Withstands elevated operating temperatures.</p>	
<p>CP2115</p> <p>Finishing and Semi-finishing</p> <p>P STEEL</p>	<p>"First Choice" for Finishing Applications in Steel (ISO P Materials). Triple-Coated MT-CVD Grade with Superfine TiCN, Thick Al₂O₃, and Ultra-Smooth TiN. Gradient-sintered high performance cemented carbide substrate with very high wear resistance. Performs extremely well in continuous cutting conditions and stable set-ups.</p>	
<p>CP2125</p> <p>Semi-finishing to Light Roughing</p> <p>P STEEL</p>	<p>"First Choice" for Medium Turning Applications in Steel (ISO P Materials). Triple-Coated MT-CVD Grade with Superthick TiCN, Optimized Al₂O₃, and Ultra-Smooth TiN. Gradient-sintered all-round performance cemented carbide substrate with excellent balance of wear resistance and toughness. Covers a wide application range, from semi-finishing to light roughing of Steels and continuous cutting to moderate interruptions. Also recommended for workpieces with scale.</p>	
<p>CP2135</p> <p>Medium Machining to Roughing</p> <p>P STEEL</p>	<p>"First Choice" for difficult Roughing Applications in Steel (ISO P Materials). Superior fracture toughness and wear resistance. MT-CVD Triple-Layer Coating with smooth surface and excellent fracture resistance. Gradient-sintered high performance cemented carbide substrate with exceptional toughness properties. Well suited for medium to heavy interrupted cuts and other unstable application conditions.</p>	
<p>CP3225</p> <p>Finishing to Light Roughing</p> <p>P M K</p>	<p>Universal Turning Grade. Primary application in Steel, with wide performance range in multiple materials. TiAlN Nano-Structure PVD Coated grade. Sub-Micron carbide substrate with outstanding combination of wear resistance and toughness behavior. Excellent Choice for All-Round grade that performs in an extremely wide variety of workpiece materials.</p>	
<p>CP6215</p> <p>Super-Finishing to Finishing</p> <p>M STAINLESS STEEL</p>	<p>"First Choice" Grade for Finishing Applications in Stainless Steel (ISO M Materials). Also suitable for finish turning iron-based, cobalt-based and nickel-based Heat Resistant Super Alloys. PVD Advanced TiAlN Coated Grade with superior heat-resistance and oxidation-resistance properties. Extremely hard deformation-resistant micro-grain cemented carbide substrate with exceptional wear resistance characteristics.</p>	

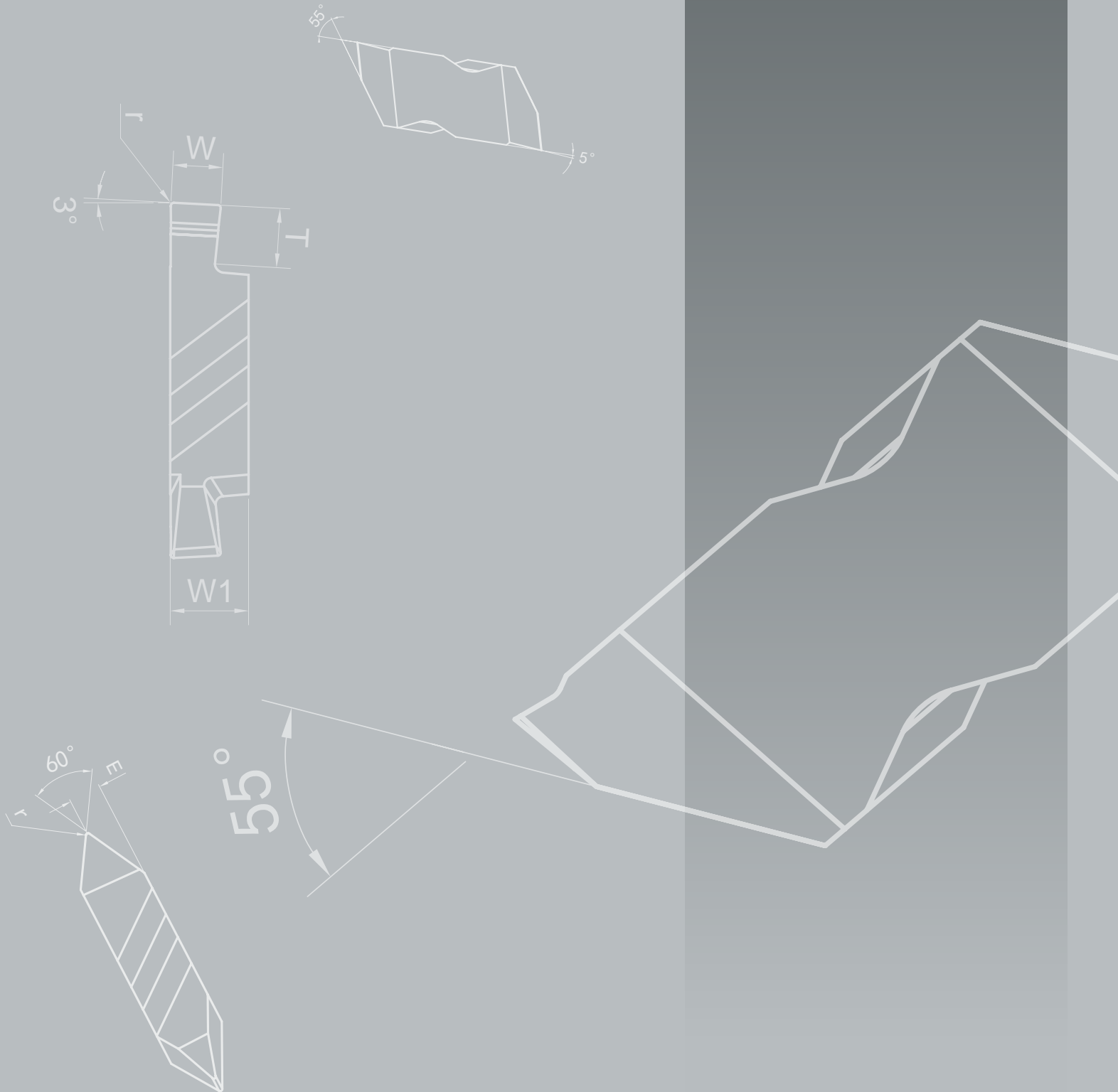
Grade / Application Area	Description	Microstructure
<p>CP6025</p> <p>Finishing to Medium Machining</p> <p>M STAINLESS STEEL</p>	<p>"First Choice" Grade for Stainless Steel (ISO M Materials). Double-Coated MT-CVD Grade with outstanding adhesion of Superthick TiCN and Ultra-Smooth TiN. Gradient-sintered tough cemented carbide substrate with excellent wear resistance - even at elevated cutting speeds. Optimized for Stainless Steel machining including light interruptions.</p>	
<p>CP6225</p> <p>Semi-finishing to Roughing</p> <p>M STAINLESS STEEL</p>	<p>TiAlN Nano-Structure PVD Coated grade on Superfine Sub-Micron carbide substrate - exceptional resistance to thermal and mechanical shock with very good wear resistance. Excellent Choice for Stainless Steel applications at moderate cutting speeds, continuous cutting to moderate interruptions.</p>	
<p>CP4115</p> <p>Finishing and Semi-finishing</p> <p>K CAST IRON</p>	<p>"First Choice" for Finishing Applications in Cast Iron (ISO K Materials). Double-Coated MT-CVD Grade, Thick TiCN and Superthick Al₂O₃ on gradient-sintered high performance cemented carbide substrate. Unique "post-coating treatment" provides smoother cutting zone interface for extremely high wear resistance. Performs very well in continuous cutting conditions and stable set-ups.</p>	
<p>CP4125</p> <p>Semi-finishing to Roughing</p> <p>K CAST IRON</p>	<p>"First Choice" for Medium Turning Applications in Cast Iron (ISO K Materials). Double-Coated MT-CVD Grade, Superthick TiCN and Thick Al₂O₃. Gradient-sintered cemented carbide substrate with high wear resistance and superior toughness behavior. Covers a wide application range, from semi-finishing to roughing of Cast Iron - and continuous cutting to heavy interruptions. Performs well in poor machining conditions / on demanding castings.</p>	
<p>CP5225</p> <p>Semi-finishing to Roughing</p> <p>N NON-FERROUS</p>	<p>PVD TiBC Coating paired with High Hardness and Wear Resistant Sub-Micron cemented carbide substrate developed specifically for Aluminum Alloys and other non-ferrous materials within the ISO N Material range. Extremely smooth top coating layer results in reduced surface friction and smooth chip flow. Also suitable for non-metallics.</p>	
<p>CP23</p> <p>Semi-finishing to Roughing</p> <p>N NON-FERROUS</p>	<p>Uncoated Sub-Micron cemented carbide grade. High Hardness and Wear Resistance grade developed specifically for Aluminum Alloys and other non-ferrous materials within the ISO N Material range. Also suitable for non-metallics.</p>	

WEAR MECHANISM / PROBLEM

WEAR MECHANISM / PROBLEM	REMEDY										
	Increase the cutting speed	Reduce the cutting speed	Increase the feed	Reduce the feed	Increase the depth of cut	Reduce the depth of cut	Ensure adequate coolant flow	Choose a tougher grade	Select a more wear resistant grade	Choose a positive geometry	Use a smaller nose radius
Excessive flank wear		■	■				■		■		
Chipping				■				■			
Plastic deformation		■		■		■	■		■		
Crater wear		■		■			■		■	■	
Built-up-edge (BUE)	■			■			■			■	
Thermal cracks	■			■				■			
Notch wear		■					■		■		
Insert Breakage				■		■		■			
Vibrations		■	■			■				■	■
Chip control / long, unbroken chips			■		■						■
	REMEDY										
	Increase the cutting speed	Reduce the cutting speed	Increase the feed	Reduce the feed	Increase the depth of cut	Reduce the depth of cut	Ensure adequate coolant flow	Choose a tougher grade	Select a more wear resistant grade	Choose a positive geometry	Use a smaller nose radius

PRO-NOTCH™ THREADING & GROOVING INSERTS

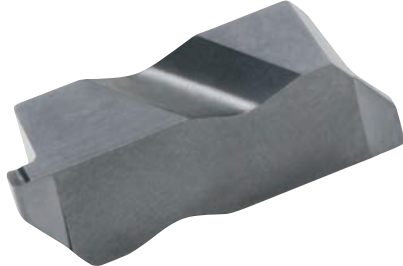
STANDARD NOTCH INSERTS FOR
THREADING AND GROOVING



STANDARD NOTCH INSERTS


Precision ground for high performance and accurate indexing

5° positive rake - reduced cutting forces



General purpose grooving, O-ring grooves, Circlip grooves

Specialized edge treatment for extended tool life

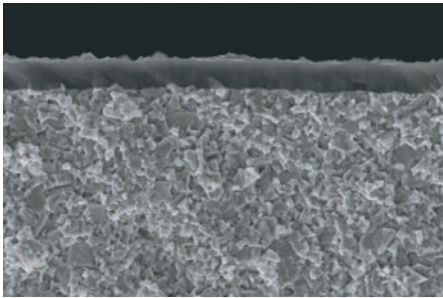


Two cutting edges per insert for economy

60° partial profile V-thread forms for a range of thread pitches

CP6225

TiAlN Nano-Structure PVD Coated Grade



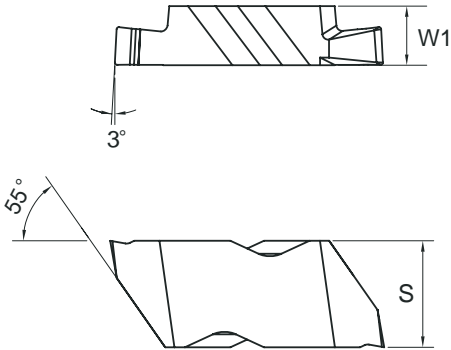
High resistance to thermal and mechanical shock, with exceptional wear resistance – provides superior performance in steel, stainless steel and cast iron materials.

P

M

K

PRO-NOTCH™ Insert Dimensions



Insert Size	W1	s
2	.150	.219
3	.195	.344

P	N	G	P	2	0	4	7	R
1		2	3	4	5			6

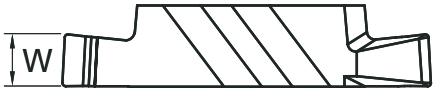
P	N	T	P	2	R
1		2	3	4	6

1	
Insert Type	
PN	PRO-NOTCH™ Grooving System

2	
Insert Style	
G	Grooving
T	Threading - 60° V-form

3	
Insert Characteristics	
P	Positive Rake

4	
Insert Size	
2	Notch size 2
3	Notch size 3

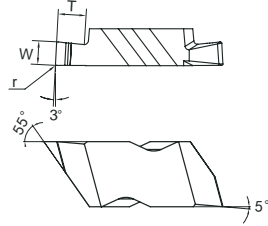
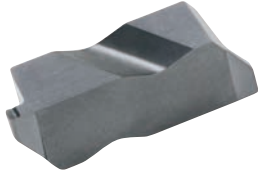
5	
Grooving Width	
	

Symbol indicates width W in thousandths of an inch

Symbol	W (inch)
047	.047
062	.062
078	.078
094	.094
125	.125

6	
Hand of Insert	
R	Right-hand
L	Left-hand

PNGP



Precision ground, positive rake Notch inserts for a wide range of grooving applications.

5° positive rake for improved cutting action and reduced cutting forces.

CATALOG NUMBER		INSERT SIZE	DIMENSIONS (INCH)			CUTTING DATA (INCH)		P	M	K
			W	T	r	depth of cut, a_p	feed per rev, f_n	MULTI-MATERIAL CP6225		
RIGHT HAND	LEFT HAND									
PNGP 2047R	PNGP 2047L	2	.047	.050	.004	max .050	.001-.005	★		
PNGP 2062R	PNGP 2062L	2	.062	.110	.008	max .110	.001-.006	★		
PNGP 2078R	PNGP 2078L	2	.078	.110	.008	max .110	.002-.008	★		
PNGP 2094R	PNGP 2094L	2	.094	.110	.008	max .110	.002-.008	★		
PNGP 2125R	PNGP 2125L	2	.125	.110	.008	max .110	.003-.010	★		
PNGP 3047R	PNGP 3047L	3	.047	.075	.008	max .075	.001-.006	★		
PNGP 3062R	PNGP 3062L	3	.062	.094	.008	max .094	.001-.006	★		
PNGP 3078R	PNGP 3078L	3	.078	.094	.008	max .094	.002-.008	★		
PNGP 3094R	PNGP 3094L	3	.094	.150	.008	max .150	.002-.008	★		
PNGP 3125R	PNGP 3125L	3	.125	.150	.008	max .150	.003-.010	★		

Ordering Example: 20 pcs PNGP 3062R CP6225

NOTE: Right-hand insert shown; Left-hand mirror image.

INSERT COMPATIBILITY

Pro-Notch™ PNGP grooving inserts are interchangeable with other Notch grooving inserts and also fit tools using the following insert types:

NG, NGP, NG-K

FLG, FLGP, FLG-CB

TLG, TLGP

REFERENCE PAGES

GRADE INFORMATION

72

TECHNICAL INFORMATION

72

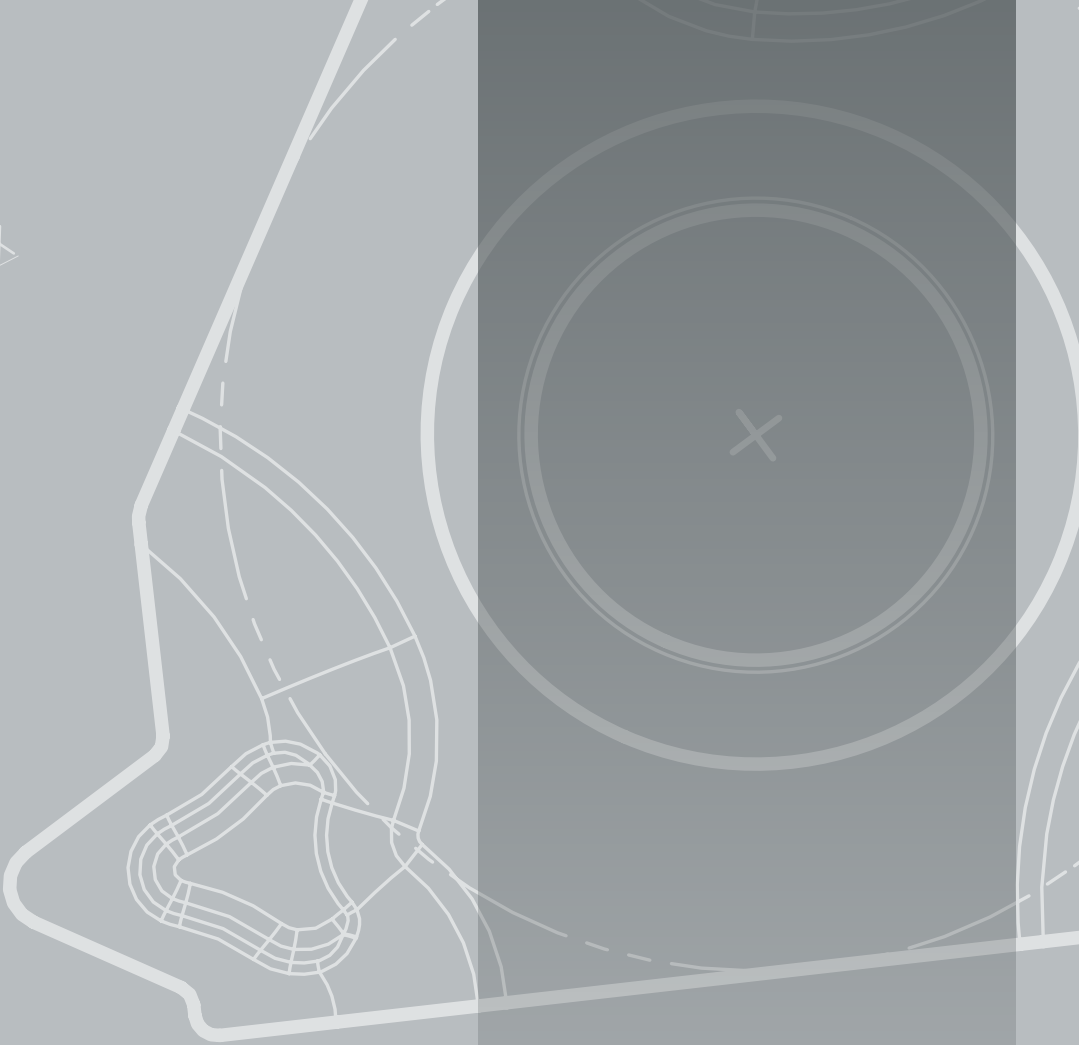
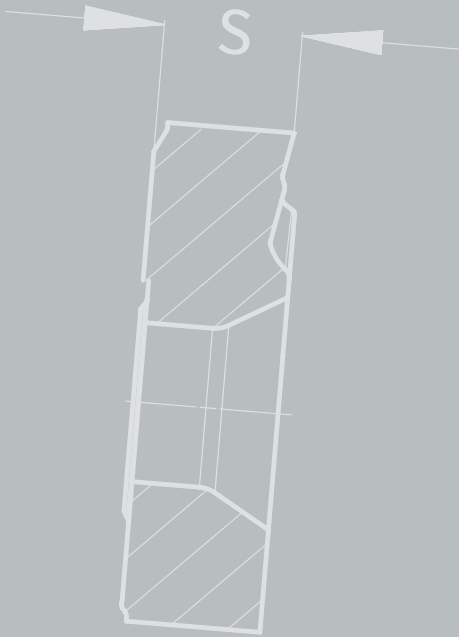
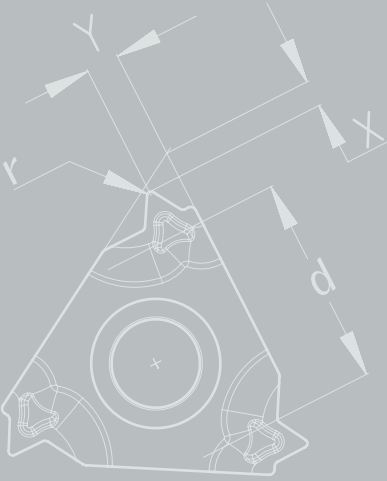
CUTTING SPEED RECOMMENDATIONS

76

ISO	Material Group	Workpiece Material	Brinell Hardness HB	Rockwell Hardness HRC	Tensile Strength MPa	Recommended Starting Speeds v_c (ft/min)														
						CP6225														
						f_n (inch/rev)														
						.003	.006	.010												
P Steel	P0	Low-Carbon Steels, Long Chipping (C < .25%) Ex. A36, 1008, 1010, 1018, 1108, 1117	<125		<530	600	510	420												
	P1	Low-Carbon Steels, Short Chipping, Free Machining (C < .25%) Ex. 10L18, 1200 Series, 1213, 12L14	<125		<530	520	450	390												
	P2	Medium- and High-Carbon Steels (C > .25%) Ex. 1035, 1045, 10L45, 1080, 1137, 1144, 1525, 1572	<220	<25	>530	440	390	330												
	P3	Alloy Steels and Tool Steels (C > .25%) Ex. P20, 1300, 2000, 3000, 4000, 5000, 8000, SAE A, D, H, O, S, M, T	<330	<35	600-850	350	300	250												
	P4	High-Strength Alloy Steels and Tool Steels (C > .25%) Ex. P20, 1300, 2000, 3000, 4000, 5000, 8000, SAE A, D, H, O, S, M, T	340-450	35-48	850-1400	300	250	200												
	P5	Ferritic, Martensitic and PH Stainless Steels Ex. 13-8 PH, 15-5 PH, 17-4 PH, 400 and 500 Series	<330	<35	600-900	360	310	260												
	P6	High-Strength Ferritic, Martensitic and PH Stainless Steels Ex. 13-8 PH, 15-5 PH, 17-4 PH, 400 and 500 Series	340-450	35-48	900-1350	280	230	200												
M Stainless Steel	M1	Austenitic Stainless Steels Ex. 200 Series, 301, 302, 304, 304L, 309	130-200		<600	400	330	260												
	M2	High-Strength Austenitic Stainless and Cast Stainless Steels Ex. 310, 316, 316L, 321, 347, 384	150-230	<25	600-800	360	300	230												
	M3	Duplex Stainless Steels Ex. 323, 329, F55, 2205	135-275	<30	<800	320	260	200												
K Cast Iron	K1	Gray Cast Iron Ex. Class 20, 25, 30, 35, 40, 45, 50, 55, 60, G1800, G3000, G3500, G4000	120-290	<32	125-500	630	510	390												
	K2	Ductile Cast Irons (Nodular Irons) and Compacted Graphite Irons (CGI) Ex. 60-40-18, 65-45-12, 80-55-06, SAE J434: D4018, D4512, D5506	130-260	<28	<600	470	380	290												
	K3	High-Strength Ductile Irons and Austempered Ductile Irons (ADI) Ex. ASTM A536: 100-70-03, 120-90-02, SAE J434: D7003	180-350	<43	>600	380	310	230												

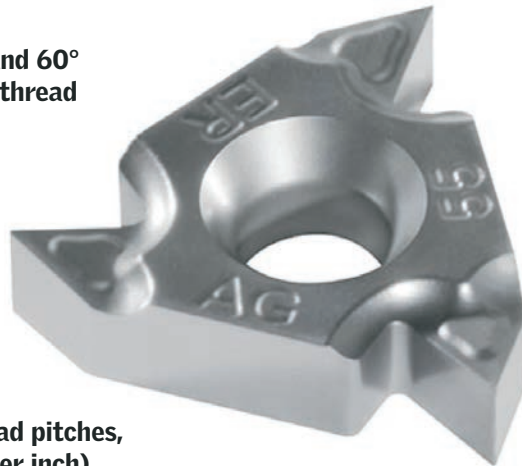
LAYDOWN THREADING INSERTS

STANDARD INSERTS FOR THREAD TURNING



STANDARD THREAD TURNING INSERTS

Inserts for 55° and 60° partial profile V-thread forms

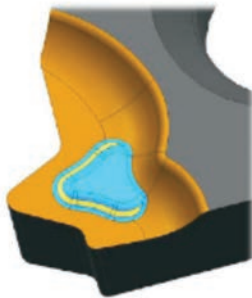


Standard insert sizes 11, 16 and 22

Broad range of thread pitches, 48-5 TPI (threads per inch)

Inserts for External and Internal applications

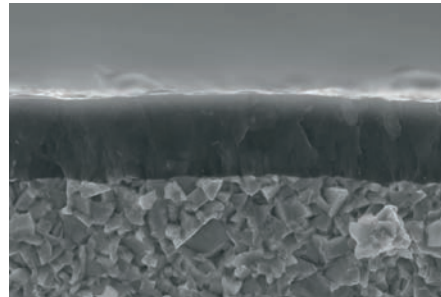
TX chipbreaker



- Superior chip control
- Reduced cutting forces
- Large chip space promotes smooth chip evacuation

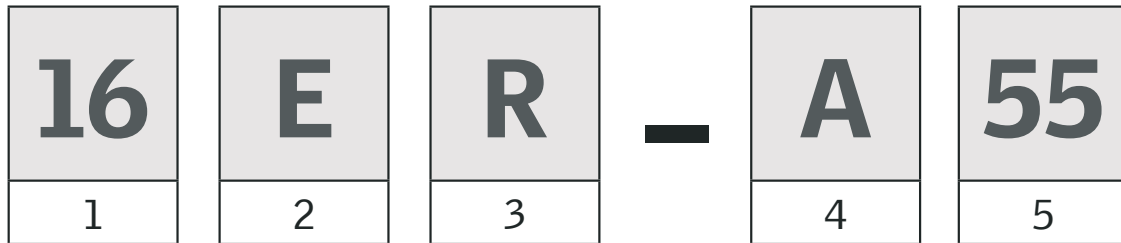
CP3225T

TiAlN Nano-Structure PVD Coated Grade



Optimized coating with gradient-sintered tough cemented carbide substrate provides superior wear resistance and exceptional performance for thread turning across a broad range of materials.





1	
Insert Size	
Size	iC
11	.250
16	.375
22	.500

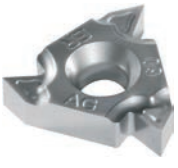
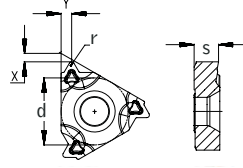
2	
Insert Type	
E	External
I	Internal

3	
Hand of Insert	
R	Right-hand

4		
Pitch		
Partial Profile		
Designation	TPI	mm
A	48 - 16	0.5 - 1.5
AG	48 - 8	0.5 - 3.0
G	14 - 8	1.75 - 3.0
N	7 - 5	3.5 - 5.0


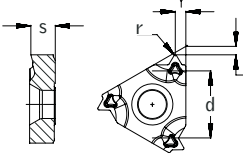
5	
Thread Form	
55	Partial Profile 55°
60	Partial Profile 60°

PARTIAL PROFILE 60° - EXTERNAL

			<p>Standard inserts for 60° partial profile (non-cresting) V-thread forms across a range of materials. Three cutting edges for economy.</p> <p><i>Special chipbreaker design with low cutting forces and superior chip control. Large chip space promotes smooth chip evacuation.</i></p>								
	CATALOG NUMBER	THREADS PER INCH	THREAD PITCH	DIMENSIONS (INCH)					MULTI-MATERIAL		
TPI		mm	d	s	r	X	Y	P	M	K	S
								CP3225T			
16ER-A60P-TX	48 - 16	0.50 - 1.50	3/8	.137	.003	.031	.035	★			
16ER-AG60-TX	48 - 8	0.50 - 3.00	3/8	.137	.003	.043	.059	★			
16ER-G60-TX	14 - 8	1.75 - 3.00	3/8	.137	.010	.047	.067	★			
22ER-N60-TX	7 - 5	3.50 - 5.00	1/2	.185	.020	.067	.098	★			

Ordering Example: 20 pcs 16ER-A60P-TX CP3225T

PARTIAL PROFILE 60° - INTERNAL

			<p>Standard inserts for 60° partial profile (non-cresting) V-thread forms across a range of materials. Three cutting edges for economy.</p> <p><i>Special chipbreaker design with low cutting forces and superior chip control. Large chip space promotes smooth chip evacuation.</i></p>								
	CATALOG NUMBER	THREADS PER INCH	THREAD PITCH	DIMENSIONS (INCH)					MULTI-MATERIAL		
TPI		mm	d	s	r	X	Y	P	M	K	S
								CP3225T			
11IR-A60-TX	48 - 16	0.50 - 1.50	1/4	.118	.003	.031	.035	★			
16IR-A60-TX	48 - 16	0.50 - 1.50	3/8	.137	.003	.031	.035	★			
16IR-AG60-TX	48 - 8	0.50 - 3.00	3/8	.137	.003	.043	.059	★			
16IR-G60-TX	14 - 8	1.75 - 3.00	3/8	.137	.005	.047	.067	★			
22IR-N60-TX	7 - 5	3.50 - 5.00	1/2	.185	.010	.067	.098	★			

Ordering Example: 20 pcs 16IR-G60-TX CP3225T

FULL PROFILE INSERTS


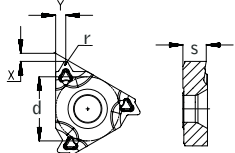
Many full profile thread turning inserts are also available, including the forms below. Ask for details.

ISO - ISO Metric 60°
NPT - National Pipe Taper

UN - Unified National Fixed Pitch (Inch UN 60°)
BSPT - British Standard Pipe Taper


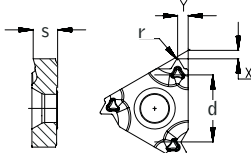
W - Whitworth

PARTIAL PROFILE 55° - EXTERNAL

		<p>Standard inserts for 55° partial profile (non-cresting) V-thread forms across a range of materials. Three cutting edges for economy.</p> <p><i>Special chipbreaker design with low cutting forces and superior chip control. Large chip space promotes smooth chip evacuation.</i></p>									
CATALOG NUMBER	THREADS PER INCH	THREAD PITCH	DIMENSIONS (INCH)					MULTI-MATERIAL			
	TPI	mm	d	s	r	X	Y	P	M	K	S
								CP3225T			
16ER-A55-TX	48 - 16	0.50 - 1.50	3/8	.137	.003	.031	.035	★			
16ER-AG55-TX	48 - 8	0.50 - 3.00	3/8	.137	.003	.043	.059	★			
16ER-G55-TX	14 - 8	1.75 - 3.00	3/8	.137	.008	.047	.067	★			
22ER-N55-TX	7 - 5	3.50 - 5.00	1/2	.185	.017	.067	.098	★			

Ordering Example: 20 pcs 16ER-G55-TX CP3225T

PARTIAL PROFILE 55° - INTERNAL

		<p>Standard inserts for 55° partial profile (non-cresting) V-thread forms across a range of materials. Three cutting edges for economy.</p> <p><i>Special chipbreaker design with low cutting forces and superior chip control. Large chip space promotes smooth chip evacuation.</i></p>									
CATALOG NUMBER	THREADS PER INCH	THREAD PITCH	DIMENSIONS (INCH)					MULTI-MATERIAL			
	TPI	mm	d	s	r	X	Y	P	M	K	S
								CP3225T			
11IR-A55-TX	48 - 16	0.50 - 1.50	1/4	.118	.003	.031	.035	★			
16IR-A55-TX	48 - 16	0.50 - 1.50	3/8	.137	.003	.031	.035	★			
16IR-AG55-TX	48 - 8	0.50 - 3.00	3/8	.137	.003	.043	.059	★			
16IR-G55-TX	14 - 8	1.75 - 3.00	3/8	.137	.008	.047	.067	★			
22IR-N55-TX	7 - 5	3.50 - 5.00	1/2	.185	.017	.067	.098	★			

Ordering Example: 20 pcs 22IR-N55-TX CP3225T

FULL PROFILE INSERTS

Many full profile thread turning inserts are also available, including the forms below. Ask for details.

ISO – ISO Metric 60°
NPT – National Pipe Taper

UN – Unified National Fixed Pitch (Inch UN 60°)
BSPT – British Standard Pipe Taper

W – Whitworth

ISO	Material Group	Workpiece Material	Brinell Hardness HB	Rockwell Hardness HRC	Tensile Strength MPa	Recommended Starting Speeds v_c (ft/min)												
						CP3225T												
						low	start	high										
P Steel	P0	Low-Carbon Steels, Long Chipping (C < .25%) Ex. A36, 1008, 1010, 1018, 1108, 1117	<125		<530	390	560	760										
	P1	Low-Carbon Steels, Short Chipping, Free Machining (C < .25%) Ex. 10L18, 1200 Series, 1213, 12L14	<125		<530	330	490	640										
	P2	Medium- and High-Carbon Steels (C > .25%) Ex. 1035, 1045, 10L45, 1080, 1137, 1144, 1525, 1572	<220	<25	>530	300	440	580										
	P3	Alloy Steels and Tool Steels (C > .25%) Ex. P20, 1300, 2000, 3000, 4000, 5000, 8000, SAE A, D, H, O, S, M, T	<330	<35	600-850	250	330	460										
	P4	High-Strength Alloy Steels and Tool Steels (C > .25%) Ex. P20, 1300, 2000, 3000, 4000, 5000, 8000, SAE A, D, H, O, S, M, T	340-450	35-48	850-1400	160	270	360										
	P5	Ferritic, Martensitic and PH Stainless Steels Ex. 13-8 PH, 15-5 PH, 17-4 PH, 400 and 500 Series	<330	<35	600-900	260	400	540										
	P6	High-Strength Ferritic, Martensitic and PH Stainless Steels Ex. 13-8 PH, 15-5 PH, 17-4 PH, 400 and 500 Series	340-450	35-48	900-1350	140	180	260										

ISO	Material Group	Workpiece Material	Brinell Hardness HB	Rockwell Hardness HRC	Tensile Strength MPa	Recommended Starting Speeds v_c (ft/min)												
						CP3225T												
						low	start	high										
M Stainless Steel	M1	Austenitic Stainless Steels Ex. 200 Series, 301, 302, 304, 304L, 309	130-200		<600	240	360	470										
	M2	High-Strength Austenitic Stainless and Cast Stainless Steels Ex. 310, 316, 316L, 321, 347, 384	150-230	<25	600-800	205	310	410										
	M3	Duplex Stainless Steels Ex. 323, 329, F55, 2205	135-275	<30	<800	180	270	360										

ISO	Material Group	Workpiece Material	Brinell Hardness HB	Rockwell Hardness HRC	Tensile Strength MPa	Recommended Starting Speeds v_c (ft/min)														
						CP3225T														
						low	start	high												
K Cast Iron	K1	Gray Cast Iron Ex. Class 20, 25, 30, 35, 40, 45, 50, 55, 60, G1800, G3000, G3500, G4000	120-290	<32	125-500	260	350	490												
	K2	Ductile Cast Irons (Nodular Irons) and Compacted Graphite Irons (CGI) Ex. 60-40-18, 65-45-12, 80-55-06, SAE J434: D4018, D4512, D5506	130-260	<28	<600	220	300	400												
	K3	High-Strength Ductile Irons and Austempered Ductile Irons (ADI) Ex. ASTM A536: 100-70-03, 120-90-02, SAE J434: D7003	180-350	<43	>600	200	260	320												

ISO	Material Group	Workpiece Material	Brinell Hardness HB	Rockwell Hardness HRC	Tensile Strength MPa	Recommended Starting Speeds v_c (ft/min)														
						CP3225T														
						low	start	high												
S High Temp Alloys	S1	Iron-Based Heat-Resistant Alloys Ex. A286, A608, INCOLOY 800 Series, N-155, Haynes 556, Discaloy	160-260	25-48	500-1200	90	130	180												
	S2	Cobalt-Based Heat-Resistant Alloys Ex. Haynes 25 (L605), Haynes 188, Stellite, MAR-M302, MAR-M509	250-450	25-48	1000-1450	60	80	100												
	S3	Nickel-Based Heat-Resistant Alloys Ex. Astroloy, Hastelloy X, INCONEL 600 and 700 Series, Waspalloy	160-450	<48	600-1700	45	60	80												
	S4	Titanium and Titanium Alloys Ex. Commercially Pure Ti, Ti-5Al-2.5Sn, Ti-6Al-4V, Ti-3Al-8V-6Cr-4Zr-4Mo	300-400	33-48	900-1600	165	200	230												



MILLING

High Feed Milling Solutions 86

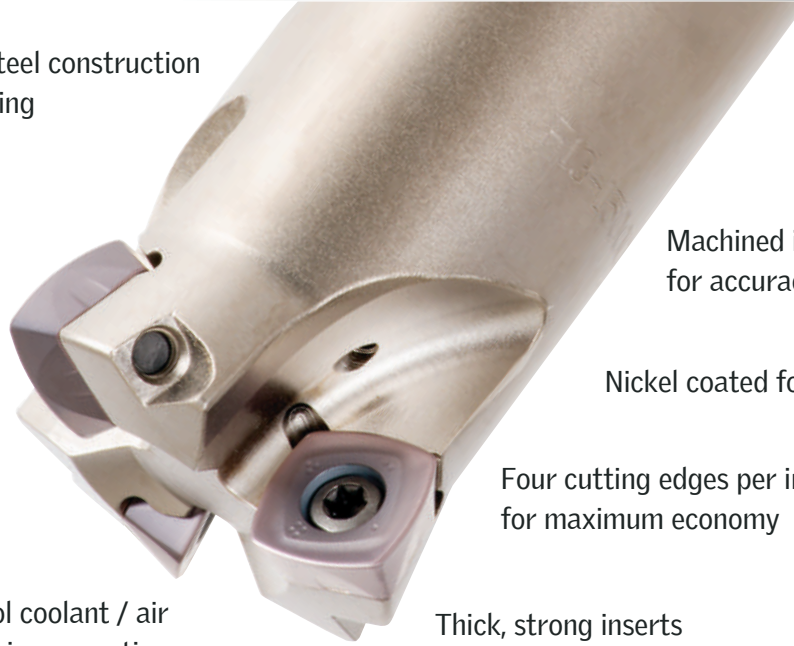
Standard Milling Solutions 95



High quality alloy tool steel construction for strong and long-lasting cutter bodies

High precision cutter bodies provide consistent performance and tool life

Through-the-tool coolant / air capability for excellent chip evacuation



Machined in pre-hardened state for accuracy and low runout

Nickel coated for durability

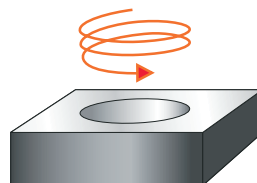
Four cutting edges per insert for maximum economy

Thick, strong inserts for demanding applications

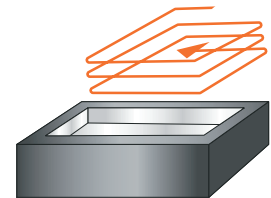
VERSATILITY | HIGH PERFORMANCE IN A VARIETY OF APPLICATIONS



Face Milling



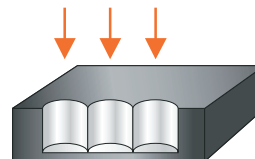
Helical Milling



Pocketing



Ramping

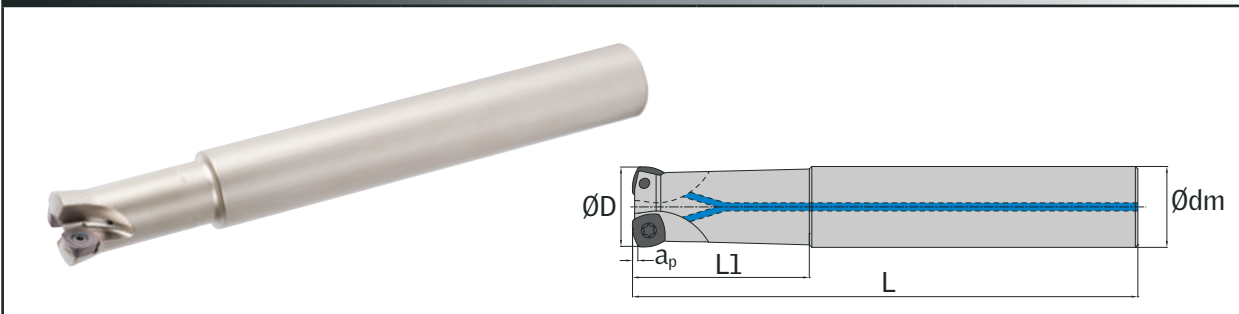


Plunging

SUITABLE FOR
A BROAD RANGE
OF MATERIALS

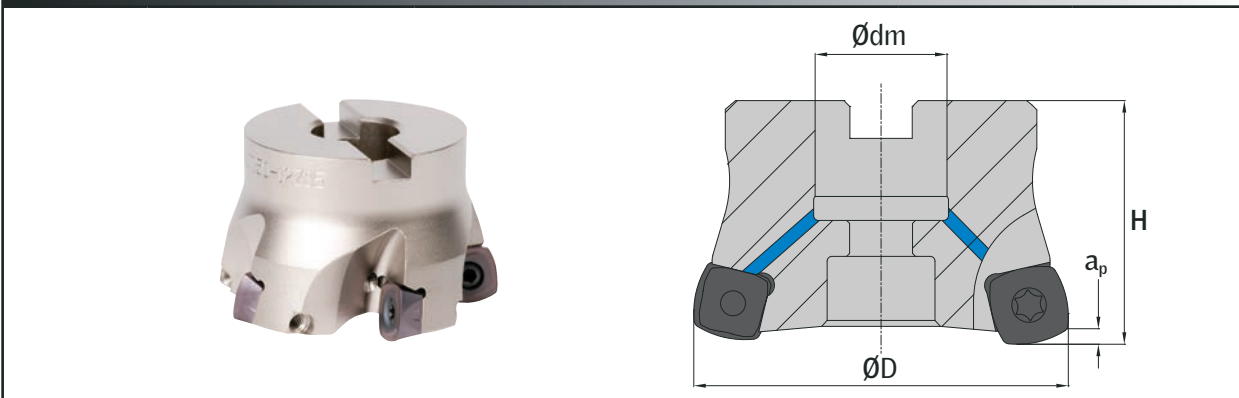
P	Steel
M	Stainless Steel
K	Cast Iron
S	High Temp Alloys
H	Hardened Steel

ENDMILLS - CYLINDRICAL SHANK



DIAMETER D	CATALOG NUMBER	NUMBER OF INSERTS z	SHANK DIAMETER dm	OVERALL LENGTH L	NECK LENGTH L1	MAX DEPTH OF CUT ap	COOLANT THROUGH
1.250	HF13-1250C1250-12Z02	2	1.250	10.00	2.50	.078	YES
1.500	HF13-1500C1250-12Z03	3	1.250	10.00	-	.078	YES

FACEMILLS - ARBOR MOUNT



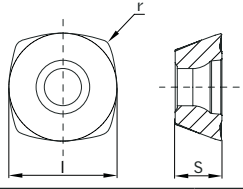


DIAMETER D	CATALOG NUMBER	NUMBER OF INSERTS z	MOUNTING BORE DIAMETER dm	HEIGHT H	MAX DEPTH OF CUT ap	COOLANT THROUGH
2.000	HF13-2000A0750-12Z04	4	0.750	1.58	.078	YES
2.500	HF13-2500A0750-12Z05	5	0.750	1.58	.078	YES
3.000	HF13-3000A1000-12Z06	6	1.000	1.97	.078	YES
4.000	HF13-4000A1250-12Z08	8	1.250	1.97	.078	YES
5.000	HF13-5000A1500-12Z10	10	1.500	2.48	.078	YES

Ordering Example: 2 pcs HF13-5000A1500-12Z10

NOTE: All cutters are delivered with insert mounting screws and a wrench. Inserts are ordered separately - see page 88.

See page 93 for Spare Parts information.

HIGH FEED MILLING

SDMT			<p>Versatile inserts for high feed facemilling, plunging, ramping and pocketing applications. Thick, strong inserts with four cutting edges for maximum economy.</p> <p><i>GM: Medium machining with lower cutting forces</i> <i>GH: Roughing with highest edge security</i></p>										
APPLICATION	ITEM	CATALOG NUMBER	DIMENSIONS (INCH)			MULTI-MATERIAL				P	M	S	
			l	s	r	CP3225M	CP3230M			CP2115M	CP6040M	CP6230M	
MEDIUM		SDMT 120512-GM	.500	.219	.047	★	★			★	★	★	
HEAVY		SDMT 120512-GH	.500	.219	.047	★	★			★	★		

Ordering Example: 20 pcs SDMT 120512-GH CP2115M

GRADE INFORMATION

CP3230M P M K S H

Universal, first-choice grade with broad application range. PVD TiAlN+ coating with excellent heat and oxidation resistance characteristics.

CP3225M P M K

Complementary grade for steel, stainless steel and cast iron materials. PVD AlCrN coating with high hardness substrate offers increased wear resistance.

CP2115M P

Best for steel machining with stable set-ups. MT-CVD dual layer TiCN and Al₂O₃ coating with extremely hard substrate offers high wear resistance.

CP6040M M

Outstanding performance in austenitic and ferritic, martensitic and PH stainless steels. MT-CVD coated grade with secondary application in titanium and HRSA materials.

CP6230M S

Primary application in titanium and iron-based, cobalt-based and nickel-based heat resistant alloys. Latest PVD TiAlN coating technology with complementary use in stainless steels.

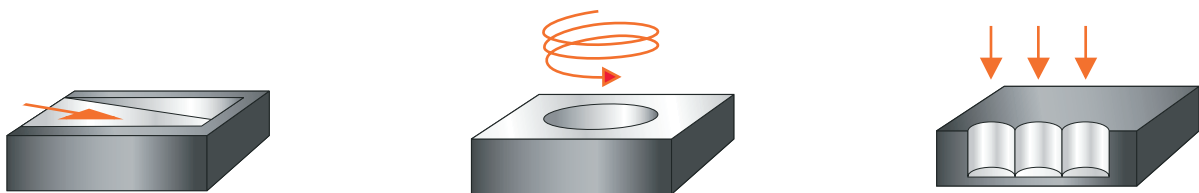
REFERENCE PAGES

MILLING CUTTERS	87	FEED RECOMMENDATIONS	89	CUTTING SPEED RECOMMENDATIONS	90
-----------------	-----------	----------------------	-----------	-------------------------------	-----------

ISO	Workpiece Material	Rockwell Hardness HRC	Recommended feed per insert f_z (inches) starting (range)	
			GM (medium)	GH (heavy)
P Steel	Low-Carbon Steel	<25	.045 (.030 - .060)	.060 (.040 - .080)
	Alloy Steel and Tool Steel	<35	.045 (.030 - .060)	.060 (.040 - .080)
	Alloy Steel and Tool Steel	35 - 45	.035 (.025 - .050)	.045 (.030 - .060)
M Stainless Steel	Stainless Steel	<35	.030 (.025 - .040)	.040 (.030 - .050)
K Cast Iron	Cast Iron	<35	.045 (.030 - .060)	.060 (.040 - .080)
S High-Temp Alloys	Heat-Resistant and Titanium Alloys	<35	.015 (.006 - .024)	.020 (.008 - .036)
H Hardened Steel	Alloy Steel and Tool Steel	45 - 55	.010 (.004 - .020)	.015 (.006 - .030)

RECOMMENDED STARTING FEED VALUES RELATIVE TO DEPTH OF CUT	depth of cut a_p (inches)			
	.020	.040	.060	.078
Recommended feed per insert f_z (inches) starting (range)	.070 (.060 - .080)	.060 (.040 - .070)	.040 (.025 - .060)	.030 (.015 - .040)

OTHER APPLICATIONS



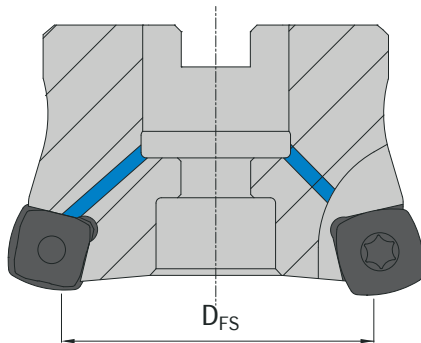
See pages 92 and 93 for feed recommendations for ramping, helical milling and plunging applications.

ISO	Material Group	Workpiece Material	Brinell Hardness HB	Rockwell Hardness HRC	Tensile Strength MPa	Recommended Starting Speeds v_c (ft/min)														
						CP2115M			CP3225M			CP3230M			CP6040M					
						f_z (inch)			f_z (inch)			f_z (inch)			f_z (inch)					
						.035	.050	.065	.035	.050	.065	.035	.050	.065	.030	.045	.055			
P Steel	P0	Low-Carbon Steels, Long Chipping (C < .25%) Ex. A36, 1008, 1010, 1018, 1108, 1117	<125		<530	840	720	580	760	650	525	720	620	500						
	P1	Low-Carbon Steels, Short Chipping, Free Machining (C < .25%) Ex. 10L18, 1200 Series, 1213, 1214	<125		<530	760	620	490	690	560	440	655	530	420						
	P2	Medium- and High-Carbon Steels (C > .25%) Ex. 1035, 1045, 10L45, 1080, 1137, 1144, 1525, 1572	<220	<25	>530	680	590	475	620	535	430	590	510	410						
	P3	Alloy Steels and Tool Steels (C > .25%) Ex. P20, 1300, 2000, 3000, 4000, 5000, 8000, SAE A, D, H, O, S, M, T	<330	<35	600-850	560	450	360	510	410	325	480	390	310						
	P4	High-Strength Alloy Steels and Tool Steels (C > .25%) Ex. P20, 1300, 2000, 3000, 4000, 5000, 8000, SAE A, D, H, O, S, M, T	340-450	35-48	850-1400	420	335	265	380	305	240	360	290	230						
	P5	Ferritic, Martensitic and PH Stainless Steels Ex. 13-8 PH, 15-5 PH, 17-4 PH, 400 and 500 Series	<330	<35	600-900				605	525	420	575	500	400	545	475	380			
	P6	High-Strength Ferritic, Martensitic and PH Stainless Steels Ex. 13-8 PH, 15-5 PH, 17-4 PH, 400 and 500 Series	340-450	35-48	900-1350				440	360	285	420	340	270	400	325	255			

ISO	Material Group	Workpiece Material	Brinell Hardness HB	Rockwell Hardness HRC	Tensile Strength MPa	Recommended Starting Speeds v_c (ft/min)														
						CP3225M			CP3230M			CP6230M			CP6040M					
						f_z (inch)			f_z (inch)			f_z (inch)			f_z (inch)					
						.025	.035	.045	.025	.035	.045	.025	.035	.045	.025	.035	.045			
M Stainless Steel	M1	Austenitic Stainless Steels Ex. 200 Series, 301, 302, 304, 304L, 309	130-200		<600	560	450	340	530	430	325	500	410	310	500	410	310			
	M2	High-Strength Austenitic Stainless and Cast Stainless Steels Ex. 310, 316, 316L, 321, 347, 384	150-230	<25	600-800	510	410	310	480	390	295	455	370	280	455	370	280			
	M3	Duplex Stainless Steels Ex. 323, 329, F55, 2205	135-275	<30	<800	450	360	275	425	345	260	400	325	245	400	325	245			

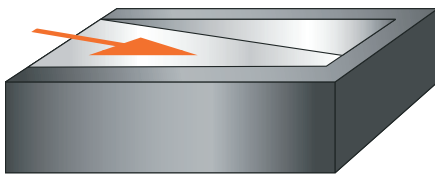
ISO	Material Group	Workpiece Material	Brinell Hardness HB	Rockwell Hardness HRC	Tensile Strength MPa	Recommended Starting Speeds v_c (ft/min)								
						CP3225M			CP3230M					
						f_z (inch)			f_z (inch)					
						.035	.050	.065	.035	.050	.065			
K Cast Iron	K1	Gray Cast Iron Ex. Class 20, 25, 30, 35, 40, 45, 50, 55, 60, G1800, G3000, G3500, G4000	120-290	<32	125-500	690	560	440	655	530	420			
	K2	Ductile Cast Irons (Nodular Irons) and Compacted Graphite Irons (CGI) Ex. 60-40-18, 65-45-12, 80-55-06, SAE J434: D4018, D4512, D5506	130-260	<28	<600	620	520	390	590	490	370			
	K3	High-Strength Ductile Irons and Austempered Ductile Irons (ADI) Ex. ASTM A536: 100-70-03, 120-90-02, SAE J434: D7003	180-350	<43	>600	550	470	360	525	450	345			
ISO	Material Group	Workpiece Material	Brinell Hardness HB	Rockwell Hardness HRC	Tensile Strength MPa	Recommended Starting Speeds v_c (ft/min)								
						CP3230M			CP6230M			CP6040M		
						f_z (inch)			f_z (inch)			f_z (inch)		
						.008	.016	.024	.008	.016	.024	.008	.016	.024
S High Temp Alloys	S1	Iron-Based Heat-Resistant Alloys Ex. A286, A608, INCOLOY 800 Series, N-155, Haynes 556, Discaloy	160-260	25-48	500-1200	200	130	100	190	120	90	190	120	90
	S2	Cobalt-Based Heat-Resistant Alloys Ex. Haynes 25 (L605), Haynes 188, Stellite, MAR-M302, MAR-M509	250-450	25-48	1000-1450	170	100	80	160	90	70	160	90	70
	S3	Nickel-Based Heat-Resistant Alloys Ex. Astroloy, Hastelloy X, INCONEL 600 and 700 Series, Waspalloy	160-450	<48	600-1700	180	110	90	170	100	80	170	100	80
	S4	Titanium and Titanium Alloys Ex. Commercially Pure Ti, Ti-5Al-2.5Sn, Ti-6Al-4V, Ti-3Al-8V-6Cr-4Zr-4Mo	300-400	33-48	900-1600	190	120	95	180	110	85	180	110	85
ISO	Material Group	Workpiece Material	Brinell Hardness HB	Rockwell Hardness HRC	Tensile Strength MPa	Recommended Starting Speeds v_c (ft/min)								
						CP3230M								
						f_z (inch)								
						.006	.012	.020						
H Hardened Steels	H1	Hardened Alloy Steels and Tool Steels Ex. H13D2, D3, 4340, P20		44-48		320	260	210						
	H2	Hardened Alloy Steels and Tool Steels Ex. H13D2, D3, 4340, P20		48-55		260	210	165						
	H3	Hardened Alloy Steels and Tool Steels Ex. H13D2, D3, 4340, P20		56-60										
	H4	Hardened Alloy Steels and Tool Steels Ex. H13D2, D3, 4340, P20		>60										

WIDTH OF CUT FOR FLAT SURFACES



CUTTER DIAMETER	D _{FS}
1.250	0.53
1.500	0.78
2.000	1.28
2.500	1.78
3.000	2.28
4.000	3.28
5.000	4.28

RAMPING



FEED RECOMMENDATION

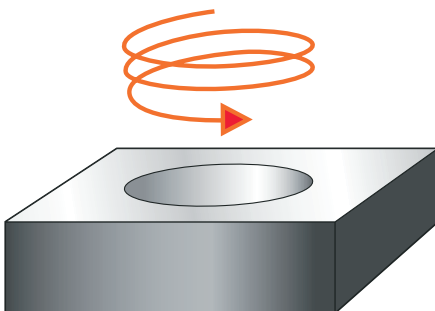
Reduce feed for ramping applications to 75% of normal value.

EXAMPLE: If the calculated face milling feed rate is 200 inches/min, reduce the feed rate for ramping to:

$$200 \text{ inches/min} \times 75\% = 150 \text{ inches/min}$$

CUTTER DIAMETER	MAX RAMPING ANGLE
1.250	1.8°
1.500	1.5°
2.000	1.2°
2.500	0.9°
3.000	0.8°
4.000	0.6°
5.000	0.4°

HELICAL MILLING



FEED RECOMMENDATION

Reduce feed for helical milling applications to 30% - 50% of normal value.

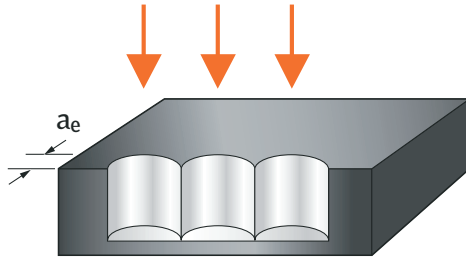
EXAMPLE: If the calculated face milling feed rate is 200 inches/min, reduce the feed rate for helical milling to a range of:

$$200 \text{ inches/min} \times 30\% = 60 \text{ inches/min}$$

$$200 \text{ inches/min} \times 50\% = 100 \text{ inches/min}$$

CUTTER DIAMETER	MINIMUM HOLE SIZE	MAXIMUM HOLE SIZE
1.250	1.71	2.42
1.500	2.21	2.92
2.000	3.21	3.92
2.500	4.21	4.92
3.000	5.21	5.92
4.000	7.21	7.92
5.000	9.21	9.92

PLUNGE MILLING



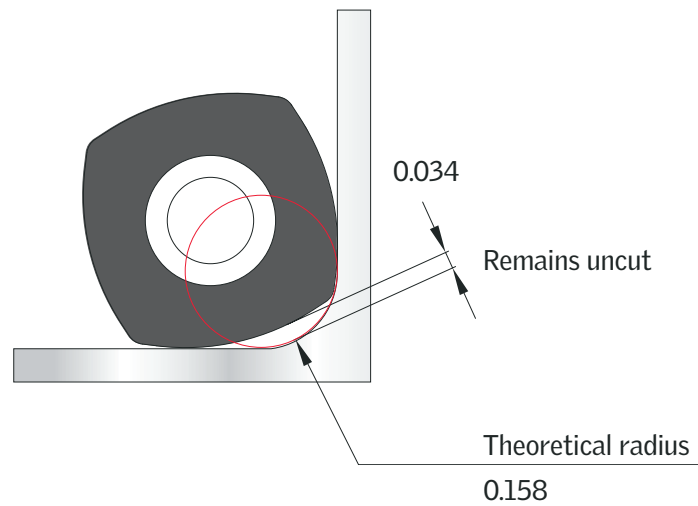
Maximum width of cut $a_e = 0.330$

FEED RECOMMENDATION


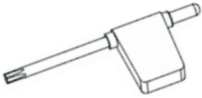
Recommended starting feed per insert
 $f_z = .006$ (.002-.010)

PROGRAMMING INFORMATION

CAD/CAM systems require a defined theoretical radius value when programming pocketing applications (cavity machining). The theoretical radius value is noted on the drawing to the right, as well as the approximate amount of material that will remain uncut.



SPARE PARTS

INSERT SCREW 	WRENCH 
S521	TW15

Spindle speed, n (rpm)

$$n = \frac{3.82 \times v_c}{D}$$

Cutting speed, v_c (ft / min)

$$v_c = .262 \times D \times n$$

Feed rate, v_f (in / min)

$$v_f = n \times f_z \times z$$

Feed per insert, f_z (in)

$$f_z = \frac{v_f}{n \times z}$$

Metal removal rate, Q (in³ / min)

$$Q = a_e \times a_p \times v_f$$

a_e	width of cut	inches
a_p	depth of cut	inches
D	cutter diameter	inches
f_z	feed per insert	inches
n	spindle speed	rev/min
Q	metal removal rate	inches ³ /min
v_c	cutting speed	feet/min
v_f	feed rate	inches/min
z	number of inserts	

STANDARD MILLING SOLUTIONS

INDUSTRY STANDARD INSERTS FOR
SQUARE SHOULDER, FACEMILLING,
AND PROFILE MILLING APPLICATIONS



Grade CP3230M

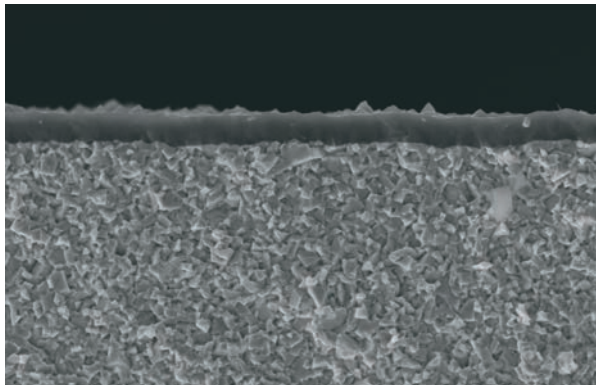
Superior Milling Performance in a Wide Range of Applications

Outstanding results in Steels, Stainless Steels, Cast Iron and Heat-Resistant Super Alloys

Withstands difficult cutting conditions – varying depths of cut, weak and unstable setups, vibrations

CP3230M - Advanced Substrate Development

- Homogeneous submicron grain structure
- Specialized processing treatment provides exceptional fracture-resistant properties and superior wear resistance
- Stable performance under a wide range of machining conditions



CP3230M - Next Generation Coating Technology

- New TiAlN+ Advanced PVD Coating
- Outstanding wear resistance properties and long tool life through improved microstructure and surface treatment
- Increased adhesion strength to substrate provides predictable tool life and reliable performance
- Effective in HRSA's and other difficult-to-machine materials due to high heat resistance and oxidation resistance characteristics

WORKPIECE MATERIAL	ANSI	ISO	Coating Type		
				PVD	
P Steel	C8 C7 C6	01		CP3230M	↑ wear resistance ↑ toughness
		10			
		20			
		30			
M Stainless Steel	-	01		CP3230M	↑ wear resistance ↑ toughness
		10			
		20			
		30			
K Cast Iron	C4 C3 C2 C1	01		CP3230M	↑ wear resistance ↑ toughness
		10			
		20			
		30			
S Heat-Resistant Super Alloys	-	01		CP3230M	↑ wear resistance ↑ toughness
		10			
		20			
		30			

SQUARE SHOULDER MILLING

APMT						<p>Widely used inserts for square shoulder endmilling and facemilling applications. Two cutting edges with smooth free cutting action.</p> <p><i>XL: Light cutting with lowest cutting forces</i> <i>XM: Medium machining with broad application range</i> <i>XR: Roughing with highest edge security</i></p>						
APPLICATION	ITEM	CATALOG NUMBER	DIMENSIONS (INCH)				CUTTING DATA (INCH)		P	M	K	S
			l	W	s	r	depth of cut, a_p	feed per insert, f_z	MULTI-MATERIAL CP3230M			
LIGHT		APMT 160408PDER-XL	.640	.364	.187	.031	max .551	.002 - .006			★	
MEDIUM		APMT 160408PDER-XM	.640	.364	.187	.031	max .551	.003 - .008			★	
MEDIUM		APMT 160416PDER-XM	.640	.364	.187	.063	max .551	.003 - .008			★	
HEAVY		APMT 160408PDER-XR	.640	.364	.187	.031	max .551	.006 - .012			★	

Ordering Example: 20 pcs APMT 160408PDER-XM CP3230M

INSERT COMPATIBILITY

APMT 1604 milling inserts are interchangeable with other APMT 1604 inserts and also fit tools using the following insert types:

APKT 1604

APKT 263

APKX 1604

APMW 1604

APMX 1604

REFERENCE PAGES

GRADE INFORMATION

96

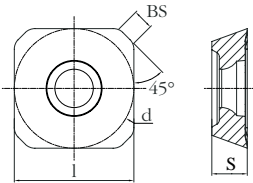
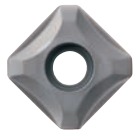


TECHNICAL INFORMATION

101

CUTTING SPEED RECOMMENDATIONS

104

45° FACEMILLING

SEET			<p>Very popular facemilling inserts, commonly used on low powered machines and smaller machining centers. High positive rake angles and geometries. Four cutting edges for economy.</p> <p><i>XL: Light cutting with lowest cutting forces</i> <i>XM: Medium machining with broad application range</i> <i>XR: Heavy cutting with highest edge security</i></p>									
APPLICATION	ITEM	CATALOG NUMBER	DIMENSIONS (INCH)				CUTTING DATA (INCH)		P	M	K	S
			d	l	s	BS	depth of cut, a_p	*feed per insert, f_z	MULTI-MATERIAL CP3230M			
LIGHT		SEET 13T3AGEN-XL	.528	.528	.156	.067	max .240	.003 - .008				★
MEDIUM		SEET 13T3AGEN-XM	.528	.528	.156	.047	max .240	.004 - .012				★
HEAVY		SEET 13T3AGEN-XR	.528	.528	.156	.047	max .240	.006 - .016				★

Ordering Example: 20 pcs SEET 13T3AGEN-XR CP3230M

*NOTE: Feed per insert (f_z) values shown include feedrate multiplier to compensate for 45° lead angle chip thinning.

INSERT COMPATIBILITY

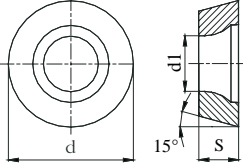




SEET 13T3 inserts are interchangeable with, and fit tools using, the following insert types:

R245-12T3 SEET 13T3 SEGT 13T3 SEHT 13T3 SEKT 13T3 SEMT 13T3 SEPT 13T3

REFERENCE PAGES

GRADE INFORMATION **96** TECHNICAL INFORMATION **101** CUTTING SPEED RECOMMENDATIONS **104**

PROFILE MILLING

RDET RDMW			Industry standard profiling inserts with high performance grade and geometries. 15° clearance angle for wide variety of common industry cutters. Excellent value and economy. <i>XL: Light cutting with lowest cutting forces</i> <i>XM: Medium machining with broad application range</i> <i>T-XR, T: Roughing with highest edge security</i>								
APPLICATION	ITEM	CATALOG NUMBER	DIMENSIONS (INCH)			CUTTING DATA (INCH)		P	M	K	S
			d	dI	s	*depth of cut, a _p	*feed per insert, f _z	MULTI-MATERIAL CP3230M			
LIGHT		RDET 1204M0-XL	12mm	.173	.187	.118	.003 - .010	★			
		RDET 1604M0-XL	16mm	.217	.187	.157	.004 - .010	★			
MEDIUM		RDET 1204M0-XM	12mm	.173	.187	.118	.004 - .012	★			
		RDET 1604M0-XM	16mm	.217	.187	.157	.004 - .014	★			
HEAVY		RDMW 1204M0T-XR	12mm	.173	.187	.118	.005 - .015	★			
HEAVY		RDMW 1604M0T	16mm	.217	.187	.157	.006 - .018	★			

Ordering Example: 20 pcs RDMW 1204M0-XL CP3230M

***NOTE:** For general profiling applications the recommended maximum depth of cut noted is one-half the theoretical maximum depth of cut for the insert. Proper feedrates for round inserts are dependent on the depth of cut. The recommended feed values provided are for the depths of cut shown. For larger depths of cut decrease the feed; for smaller depths of cut increase the feed.

INSERT COMPATIBILITY

RDET and RDMW 1204 and 1604 inserts fit cutters using the same insert descriptions, and also fit tools using the following insert types:

RDEW RDEX RDGT RDHT RDHW RDHX RDMT RDPX

REFERENCE PAGES

GRADE INFORMATION **96** TECHNICAL INFORMATION **101** CUTTING SPEED RECOMMENDATIONS **104**

PROFILE MILLING

RPET RPMW			Industry standard profiling inserts with high performance grade and geometries. 11° clearance angle for broad range of common industry cutters. Excellent value and economy. <i>XL: Light cutting with lowest cutting forces</i> <i>XM: Medium machining with broad application range</i> <i>T: Roughing with highest edge security</i>									
			APPLICATION	ITEM	CATALOG NUMBER	DIMENSIONS (INCH)			CUTTING DATA (INCH)		P	M
			d	d1	s	*depth of cut, a_p	*feed per insert, f_z	MULTI-MATERIAL CP3230M				
LIGHT		RPET 1204M0-XL	12mm	.173	.187	.118	.003 - .010	★				
MEDIUM		RPET 1204M0-XM	12mm	.173	.187	.118	.004 - .012	★				
HEAVY		RPMW 1204M0T	12mm	.173	.187	.118	.005 - .015	★				

Ordering Example: 20 pcs RPMW 1204M0T CP3230M

***NOTE:** For general profiling applications the recommended maximum depth of cut noted is one-half the theoretical maximum depth of cut for the insert. Proper feedrates for round inserts are dependent on the depth of cut. The recommended feed values provided are for the depths of cut shown. For larger depths of cut decrease the feed; for smaller depths of cut increase the feed.

INSERT COMPATIBILITY

RPET and RPMW 1204 inserts fit cutters using the same insert descriptions, and also fit tools using the following insert types:

RPCT	RPCW	RPEW	RPEX	RPHT	RPMT
------	------	------	------	------	------

REFERENCE PAGES

GRADE INFORMATION	96	TECHNICAL INFORMATION	101	CUTTING SPEED RECOMMENDATIONS	104
-------------------	-----------	-----------------------	------------	-------------------------------	------------

TECHNICAL INFORMATION

MILLING

Code Key 102

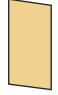


Cutting Speed Recommendations 104


Hardness Comparison Table 106

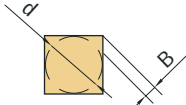
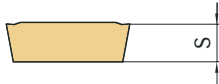


EXAMPLE 1



A	P	M	T	16	04	08	P	D	E	R	-	XM
1	2	3	4	5	6	7	8	9	10	11		12

1		
Insert Shape		
A	85° Parallelogram	
R	Round	
S	Square	

2	
Clearance Angle	
	
D	15° Positive Rake
E	20° Positive Rake
P	11° Positive Rake

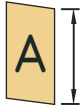


3			
Tolerances, inch			
			
Tolerance Class	tolerance on 'd'	tolerance on 'B'	tolerance on 's'
E	± .001	± .001	± .001
M	see table	see table	± .005

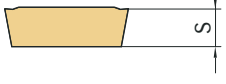
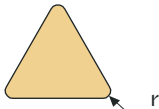
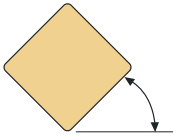
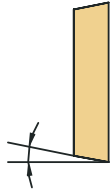
Tolerance Class M, inch		
d	tolerance on 'd'	tolerance on 'B'
3/8 (10mm)	± .002	± .003
1/2 (12mm)	± .003	± .005
5/8 (16mm)	± .004	± .006




4		
Insert Type		
T	Screw-Down Clamping, Single-sided with Chipformer	
W	Screw-Down Clamping, Single-sided without Chipformer	
X	Manufacturer-Specific Design	—

EXAMPLE 2

R	D	M	W	12	04	M0	T	-	XR
1	2	3	4	5	6	8	10		12

5			
Insert Size			
Nominal Cutting Edge Length, mm			
Symbol			
12		12	
13			13.4
16	16.4	16	

6		7		8		9	
Thickness, inch		Corner Radius, inch		Cutting Edge Angle		Secondary Cutting Edge Clearance Angle	
							
Symbol	s	Symbol	r	A	45°	D	15°
T3	5/32	08	1/32	P	90°	G	30°
04	3/16	16	1/16	M0	round, metric sizes		

10			11		12	
Cutting Edge Preparation			Hand of Insert		Insert Geometry Designation	
E	Honed		R	Right-hand	Indicates the machining properties or chip control features Manufacturer-specific	
S	Honed T-land		L	Left-hand		
T	T-land		N	Neutral		

ISO	Material Group	Workpiece Material	Brinell Hardness HB	Rockwell Hardness HRC	Tensile Strength MPa	Recommended Starting Speeds v_c (ft/min)														
						CP3230M														
						f_z (inch)														
						.004	.008	.012												
P Steel	P0	Low-Carbon Steels, Long Chipping (C < .25%) Ex. A36, 1008, 1010, 1018, 1108, 1117	<125		<530	920	720	590												
	P1	Low-Carbon Steels, Short Chipping, Free Machining (C < .25%) Ex. 10L18, 1200 Series, 1213, 12L14	<125		<530	820	655	490												
	P2	Medium- and High-Carbon Steels (C > .25%) Ex. 1035, 1045, 10L45, 1080, 1137, 1144, 1525, 1572	<220	<25	>530	720	590	480												
	P3	Alloy Steels and Tool Steels (C > .25%) Ex. P20, 1300, 2000, 3000, 4000, 5000, 8000, SAE A, D, H, O, S, M, T	<330	<35	600-850	655	560	460												
	P4	High-Strength Alloy Steels and Tool Steels (C > .25%) Ex. P20, 1300, 2000, 3000, 4000, 5000, 8000, SAE A, D, H, O, S, M, T	340-450	35-48	850-1400	590	490	390												
	P5	Ferritic, Martensitic and PH Stainless Steels Ex. 13-8 PH, 15-5 PH, 17-4 PH, 400 and 500 Series	<330	<35	600-900	680	575	470												
	P6	High-Strength Ferritic, Martensitic and PH Stainless Steels Ex. 13-8 PH, 15-5 PH, 17-4 PH, 400 and 500 Series	340-450	35-48	900-1350	525	460	390												

ISO	Material Group	Workpiece Material	Brinell Hardness HB	Rockwell Hardness HRC	Tensile Strength MPa	Recommended Starting Speeds v_c (ft/min)														
						CP3230M														
						f_z (inch)														
						.004	.008	.012												
M Stainless Steel	M1	Austenitic Stainless Steels Ex. 200 Series, 301, 302, 304, 304L, 309	130-200		<600	640	530	425												
	M2	High-Strength Austenitic Stainless and Cast Stainless Steels Ex. 310, 316, 316L, 321, 347, 384	150-230	<25	600-800	575	480	380												
	M3	Duplex Stainless Steels Ex. 323, 329, F55, 2205	135-275	<30	<800	510	425	340												

ISO	Material Group	Workpiece Material	Brinell Hardness HB	Rockwell Hardness HRC	Tensile Strength MPa	Recommended Starting Speeds v_c (ft/min)								
						CP3230M								
						f_z (inch)								
						.004	.008	.012						
K Cast Iron	K1	Gray Cast Iron Ex. Class 20, 25, 30, 35, 40, 45, 50, 55, 60, G1800, G3000, G3500, G4000	120-290	<32	125-500	790	655	490						
	K2	Ductile Cast Irons (Nodular Irons) and Compacted Graphite Irons (CGI) Ex. 60-40-18, 65-45-12, 80-55-06, SAE J434: D4018, D4512, D5506	130-260	<28	<600	720	590	460						
	K3	High-Strength Ductile Irons and Austempered Ductile Irons (ADI) Ex. ASTM A536: 100-70-03, 120-90-02, SAE J434: D7003	180-350	<43	>600	655	525	430						

ISO	Material Group	Workpiece Material	Brinell Hardness HB	Rockwell Hardness HRC	Tensile Strength MPa	Recommended Starting Speeds v_c (ft/min)								
						CP3230M								
						f_z (inch)								
						.004	.008	.012						
S High Temp Alloys	S1	Iron-Based Heat-Resistant Alloys Ex. A286, A608, INCOLOY 800 Series, N-155, Haynes 556, Discaloy	160-260	25-48	500-1200	180	150	115						
	S2	Cobalt-Based Heat-Resistant Alloys Ex. Haynes 25 (L605), Haynes 188, Stellite, MAR-M302, MAR-M509	250-450	25-48	1000-1450	150	110	-						
	S3	Nickel-Based Heat-Resistant Alloys Ex. Astroloy, Hastelloy X, INCONEL 600 and 700 Series, Waspalloy	160-450	<48	600-1700	160	120	-						
	S4	Titanium and Titanium Alloys Ex. Commercially Pure Ti, Ti-5Al-2.5Sn, Ti-6Al-4V, Ti-3Al-8V-6Cr-4Zr-4Mo	300-400	33-48	900-1600	170	130	-						

TENSILE STRENGTH	HARDNESS		
	MPa	Brinell HB	Vickers HV
530	156	165	
560	166	175	
595	176	185	
625	185	195	
660	195	205	
690	204	215	
720	214	225	
740	219	230	
755	223	235	
770	228	240	20.3
785	233	245	21.3
800	238	250	22.2
820	242	255	23.1
835	247	260	24.0
850	252	265	24.8
865	257	270	25.6
880	261	275	26.4
900	266	280	27.1
915	271	285	27.8
930	276	290	28.5
950	280	295	29.2
965	285	300	29.8
995	295	310	31.0
1030	304	320	32.2
1060	314	330	33.3
1095	323	340	34.4
1125	333	350	35.5
1155	342	360	36.6
1190	352	370	37.7
1220	361	380	38.8
1255	371	390	39.8
1290	380	400	40.8
1320	390	410	41.8
1350	399	420	42.7
1385	409	430	43.6
1420	418	440	44.5
1455	428	450	45.3

TENSILE STRENGTH	HARDNESS		
	MPa	Brinell HB	Vickers HV
1485	437	460	46.1
1520	447	470	46.9
1555	456	480	47.7
1595	466	490	48.4
1630	475	500	49.1
1665	485	510	49.8
1700	494	520	50.5
1740	504	530	51.1
1775	513	540	51.7
1810	523	550	52.3
1845	532	560	53.0
1880	542	570	53.6
1920	551	580	54.1
1955	561	590	54.7
1995	570	600	55.2
2030	580	610	55.7
2070	589	620	56.3
2105	599	630	56.8
2145	608	640	57.3
2180	618	650	57.8
		660	58.3
		670	58.8
		680	59.2
		690	59.7
		700	60.1
		720	61.0
		740	61.8
		760	62.5
		780	63.3
		800	64.0
		820	64.7
		840	65.3
		860	65.9
		880	66.4
		900	67.0
		920	67.5
		940	68.0

Metalcutting Safety

Read before using the tools in this catalog!

Projectile and Fragmentation Hazards:

Modern metalcutting operations involve high spindle and cutter speeds and high temperatures and cutting forces. Hot metal chips may fly off the workpiece during metalcutting. Although cutting tools are designed and manufactured to withstand high cutting forces and temperatures, they can sometimes fragment, particularly if they are subjected to over-stress, severe impact, or other abuse. Many variables affect machining operations. It is impossible to cover every specific situation. The technical information included in this catalog and recommendations on machining practices may not apply to your particular operation. As sold and under normal conditions of use, hardmetal products and tools do not present inhalation, ingestion or other chemical hazards. The health hazards relate only to hardmetal powder. Under normal conditions of use, operations involving hardmetal products and tools do not result in the release of hardmetal powder (either in the form of dusts or fumes) and do not present inhalation, ingestion or other chemical hazards.

To avoid injury:

- Always wear appropriate personal protective equipment, including safety goggles, when operating metalcutting machines or working nearby.
- Always make sure all machine guards are in place.

Breathing and Skin Contact Hazards:

Grinding carbide or other advanced cutting tool materials produces dust or mist containing metallic particles.

To avoid injury:

- If grinding, read the applicable Material Safety Data Sheet and consult General Industry Safety and Health Regulations, Part 1910, Title 29 of the Code of Federal Regulations. These safety instructions are general guidelines.

Although we have attempted to provide current and accurate information herein, we make no representations regarding the accuracy or the completeness of the information and assume no liability for any loss, damage, or injury of any kind which may result from or arise out of the use of or reliance on the information by any person.

What we offer

- Competitively priced, high-quality American-made carbide products
- Stocking programs for high-volume items and specials
- Friendly 24/7 service from a knowledgeable team
- Carbide recycling via our sister company, Tungsten Carbide Recycling, LLC
- Commitment to improving the lives of our active military, veterans, and first responders through local and national charities

Our mission

We have a lifelong respect for the sacrifices our nation's military and first responders make to keep our country safe and free. It is the mission of AmeriServ Supply to support these heroes by donating a portion of our profits to charities benefiting these elite groups. Every dollar we earn means we're helping the lives of these incredible people.

